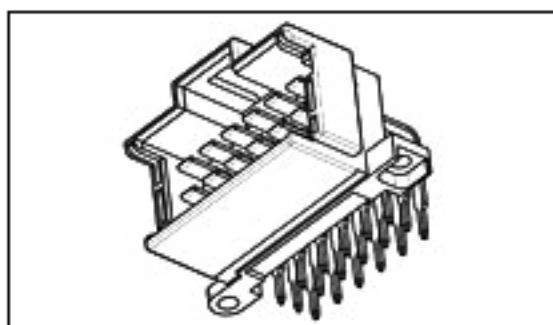


What can we help you find?

Home > Products > Product Feature Selector > Product Details

9-966140-3 Product Details

Share Print Email



9-966140-3

TE Internal Number: 9-966140-3

Active

View 3D PDF

Timer Connectors

Always EU RoHS/ELV Compliant (Statement of Compliance)

Product Highlights:

- Connector
- Header
- Connector Style = Plug
- Preloaded
- Contact Type = Tab

[View all Features](#)

Quick Links

- ▶ Pricing & Availability
- ▶ Search for Tooling
- ▶ Product Feature Selector
- ▶ Contact Us About This Product

Add to My Part List Request Sample Find Similar Products Buy Product

Documentation & Additional Information

Product Drawings:

- TAB HEADER, 2.8x0.8, 6-21POS Messerleiste, 2.8x0.8, ... (PDF, English)

Catalog Pages/Data Sheets:

- None Available

Product Specifications:

- None Available

Application Specifications:

- None Available

Instruction Sheets:

- None Available

CAD Files: (CAD Format & Compression Information)

- 2D Drawing (DXF, Version F)
- 3D Model (IGES, Version F)
- 3D Model (STEP, Version F)

[List all Documents](#)

Additional Information:

- Product Line Information

Related Products:

- Tooling

Product Features (Please use the Product Drawing for all design activity)

Product Type Features:

- Product Type = Connector
- Connector Type = Header
- Type of Connector = JPT

Mechanical Attachment:

- Mount = PCB Right Angle

Electrical Characteristics:

- Tab Material = Phosphor Bronze

Body Features:

- Connector Code = A

Contact Features:

- Contact Type = Tab
- Tab Plating = Tin

Housing Features:

- Connector Style = Plug
- Housing Material = PA 6.6
- Housing Color = Black
- Centerline, Matrix (mm [in]) = 5.00 x 5.50 x 5.50 [.197 x .216 x .216]

Configuration Features:

- Preloaded = Yes
- Number of Positions = 12

Industry Standards:

- RoHS/ELV Compliance = RoHS compliant, ELV compliant
- Lead Free Solder Processes = Wave solder capable to 240°C, Wave solder capable to 260°C
- RoHS/ELV Compliance History = Always was RoHS compliant

Packaging Features:

- Packaging Method = Tray

Other:

- Brand = AMP
- Comment = Mating item, MCP 2.8mm Hsg., see family print 1355073.; Mating item, Junior Power Timer Hsg., see family print 1355071.

Corporate Information

- [About TE](#)
- [Investors](#)
- [News Room](#)
- [Supplier Portal](#)
- [Careers](#)
- [Terms & Conditions](#)
- [Privacy Policy](#)

Quick Links

- [Distributor Inventory](#)
- [Product Cross Reference](#)
- [Documents & Drawings](#)
- [Product Compliance Support Center](#)
- [Site Map](#)

Customer Support

- [Email or Chat With Us](#)
- [Find a Phone Number](#)
- [Knowledge Base](#)
- [Manage Your Account](#)

Keep Me Informed

Receive TE News, Events & Technology Updates

Enter your email address

