



Connectors > PCB Connectors > PCB Headers & Receptacles



PCB Connector Assembly Type: **PCB Mount Header**

PCB Mount Orientation: **Vertical**

Connector System: **Board-to-Board**

Number of Positions: **80**

Centerline (Pitch): **.5 mm [.02 in]**

## Features

### Product Type Features

PCB Connector Assembly Type	PCB Mount Header
Connector System	Board-to-Board
Sealable	No
Connector & Contact Terminates To	Printed Circuit Board

### Configuration Features

Stackable	Yes
PCB Mount Orientation	Vertical
Number of Positions	80
Board-to-Board Configuration	Parallel

### Electrical Characteristics

Dielectric Withstanding Voltage (Max)	500 VAC
Insulation Resistance	2 MΩ
Operating Voltage	250 VAC

### Body Features

Primary Product Color	Black
-----------------------	-------



### Contact Features

PCB Contact Termination Area Plating Material Thickness	.05 $\mu\text{m}$ [2 $\mu\text{in}$ ]
Contact Layout	Inline
Mating Tab Width	.15 mm[.006 in]
Mating Tab Thickness	.2 mm[.008 in]
PCB Contact Termination Area Plating Material	Gold
Contact Base Material	Copper Alloy
Contact Mating Area Plating Material	Gold
Contact Mating Area Plating Material Thickness	.76 $\mu\text{m}$ [30 $\mu\text{in}$ ]
Contact Type	Tab
Contact Current Rating (Max)	.3 A

### Termination Features

Rectangular Termination Post & Tail Thickness	.2 mm[.008 in]
Rectangular Termination Post & Tail Width	.6 mm[.024 in]
Termination Method to PCB	Surface Mount

### Mechanical Attachment

PCB Mount Alignment Type	None
PCB Mount Retention Type	None
Mating Alignment	Without
Mating Alignment Type	None
PCB Mount Retention	Without
PCB Mount Alignment	Without
Connector Mounting Type	Board Mount

### Housing Features

Centerline (Pitch)	.5 mm[.02 in]
Housing Material	LCP (Liquid Crystal Polymer)

### Dimensions

Stack Height	1.5 mm[.059 in]
--------------	-----------------

### Usage Conditions

Housing Temperature Rating	High
Operating Temperature Range	-30 – 105 $^{\circ}\text{C}$ [-22 – 221 $^{\circ}\text{F}$ ]

### Operation/Application



Assembly Process Feature	Pick and Place Cover
--------------------------	----------------------

Circuit Application	Signal
---------------------	--------

**Industry Standards**

UL Flammability Rating	UL 94V-0
------------------------	----------

**Packaging Features**

Packaging Quantity	1500
--------------------	------

Packaging Method	Tape & Reel
------------------	-------------

**Product Compliance**

[For compliance documentation, visit the product page on TE.com>](#)

EU RoHS Directive 2011/65/EU	Compliant
------------------------------	-----------

EU ELV Directive 2000/53/EC	Compliant
-----------------------------	-----------

China RoHS 2 Directive MIIT Order No 32, 2016	No Restricted Materials Above Threshold
---	---

EU REACH Regulation (EC) No. 1907/2006	Current ECHA Candidate List: JUNE 2024 (241) Candidate List Declared Against: JUNE 2024 (241) Does not contain REACH SVHC
--	---

Halogen Content	Low Halogen - Br, Cl, F, I < 900 ppm per homogenous material. Also BFR/CFR/PVC Free
-----------------	---

Solder Process Capability	Reflow solder capable to 245°C
---------------------------	--------------------------------

**Product Compliance Disclaimer**

This information is provided based on reasonable inquiry of our suppliers and represents our current actual knowledge based on the information they provided. This information is subject to change. The part numbers that TE has identified as EU RoHS compliant have a maximum concentration of 0.1% by weight in homogenous materials for lead, hexavalent chromium, mercury, PBB, PBDE, DBP, BBP, DEHP, DIBP, and 0.01% for cadmium, or qualify for an exemption to these limits as defined in the Annexes of Directive 2011/65/EU (RoHS2). Finished electrical and electronic equipment products will be CE marked as required by Directive 2011/65/EU. Components may not be CE marked. Additionally, the part numbers that TE has identified as EU ELV compliant have a maximum concentration of 0.1% by weight in homogenous materials for lead, hexavalent chromium, and mercury, and 0.01% for cadmium, or qualify for an exemption to these limits as defined in the Annexes of Directive 2000/53/EC (ELV). Regarding the REACH Regulation, the information TE provides on SVHC in articles for this part number is based on the latest European Chemicals Agency (ECHA) 'Guidance on requirements for substances in articles' posted at this URL: <https://echa.europa.eu/guidance-documents/guidance-on-reach>

**Compatible Parts**



TE Part # 1-912067-1  
EMBOSS TAPE, 0.5 FS TAB 80P H1.5

TE Part # 8-912056-4  
COVER TAPE FOR 0.8 FH

### Customers Also Bought



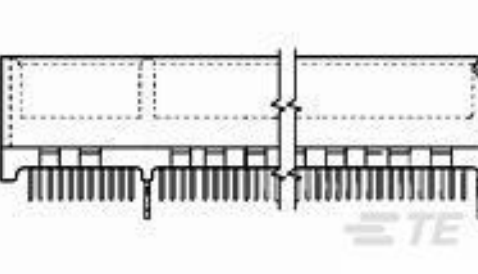
TE Part #8-2176070-6  
3521 36K 1% 2W



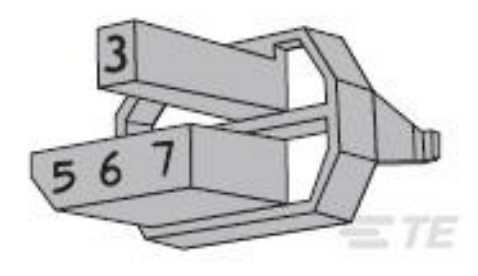
TE Part #7-2176231-9  
3522 18K 1% 3W



TE Part #1410189-3  
MULTIGIG RT T2 7RW H-LFT,ET2



TE Part #5145167-4  
STANDARD EDGE .050 SERIES 60  
DUAL ASSY



TE Part #100526-9  
Z-PACK F.CODING KEY



TE Part #2301843-1  
AMPL PLUG HD20, R/A, 9P, B/L,4-40  
INS



TE Part #214788-E  
EPSVA KS GDM4 TL 6 3,8 SN \*  
STROMVERSORG



TE Part #374380-E  
STVTE 160 FI ABCDE VVVV 7-03 TL-S  
\*\* 2

### Documents

#### CAD Files

Customer View Model

[ENG\\_CVM\\_CVM\\_8-5353164-6\\_C.2d\\_dxf.zip](#)

English

#### 3D PDF

3D

Customer View Model

[ENG\\_CVM\\_CVM\\_8-5353164-6\\_C.3d\\_igs.zip](#)

English

Customer View Model

[ENG\\_CVM\\_CVM\\_8-5353164-6\\_C.3d\\_stp.zip](#)

English

By downloading the CAD file I accept and agree to the [Terms and Conditions](#) of use.

#### Product Specifications

[Product Specification](#)

English



**Instruction Sheets**

**0.5MM F-S CONNECTOR(H 1.5MM) (BOARD TO BOARD SMT TYPE) HANDLING AND OPERATION INSTRUCTION SHEET**

English

**Instruction Sheet (non U.S.)**

English