

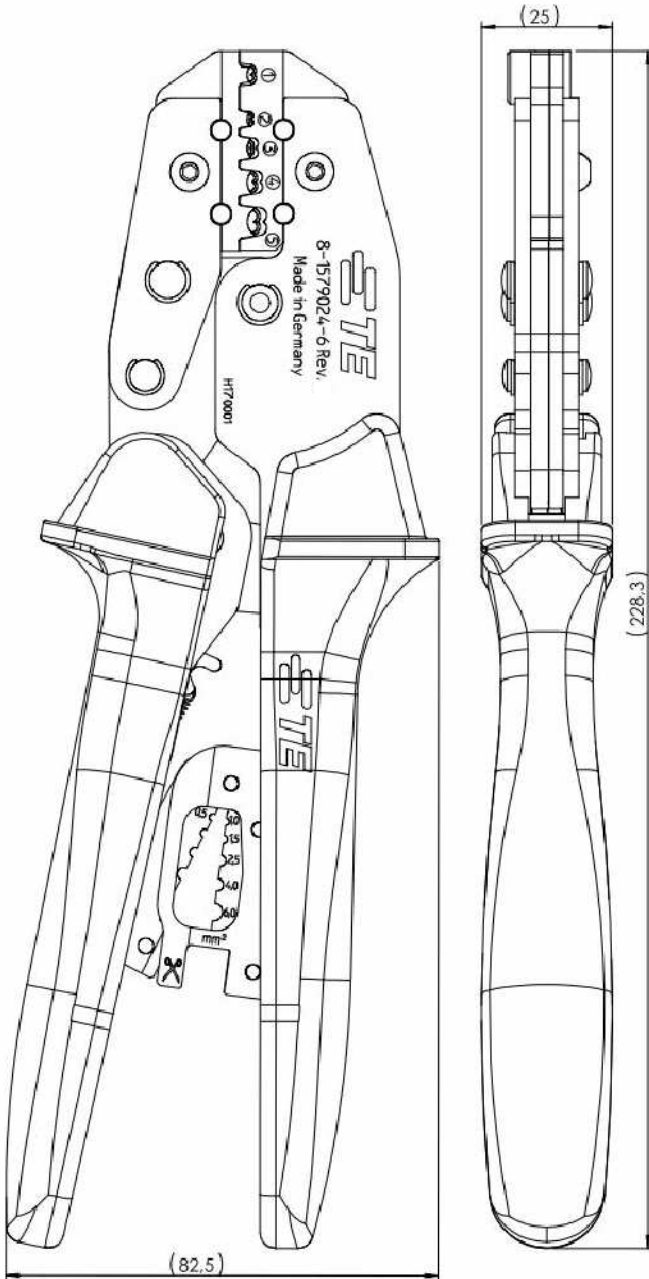
LOC	DIST	REVISIONS					
AI	00	P	LTR	DESCRIPTION	DATE	DWN	APVD
		A		INITIAL REVISION	21AUG17	LS	GS

CRIMPAC

AWG22-10

FRONT VIEW

SIDE VIEW



Eigenschaften / Features

Ausgerichtet auf die industrielle Anwendung können unterschiedliche Querschnitte zwischen AWG22 - 10 präzise verarbeitet werden. Das Doppelführungssystem garantiert eine gleichmäßige Schließkraft und präzise verwindungssteife Führung in allen Profilen und ermöglicht so die Einhaltung kleinster Toleranzen.

These crimp tools are especially designed for industrial applications to precisely crimp cross-sections from AWG22 - 10.

The double-guidance-system guarantees an even closing force and precise twist resistant guidance for every profile and thus ensures the compliance to the smallest tolerances.

Abmessungen / Dimension

Länge/Length: 228 mm
 Breite/Width: 80 mm
 Tiefe/Depth: 25 mm

Bedienungsanleitung / Operating instructions

411-18628 / TE P/N 7-744017-5


RELEASED FOR PUBLICATION

ALL INTERNATIONAL RIGHTS RESERVED.

BY TYCO ELECTRONICS CORPORATION.

© COPYRIGHT

THIS DRAWING IS UNPUBLISHED.

DIMENSIONS: mm	DWN	L. Sandhu	21AUG2017	MATERIAL	FINISH
	CHK	C. Witt	21AUG2017	 TE Connectivity	
TOLERANCES UNLESS OTHERWISE SPECIFIED:	APVD	G. Stegmayer	21AUG2017		
	0 PLC ± -	PRODUCT SPEC		CRIMPAC, HT100, F- CRIMP, AWG22 - 10	
1 PLC ± -	APPLICATION SPEC		SIZE	CAGE CODE	DRAWING NO
2 PLC ± -			A4	00779	8-1579024-6
3 PLC ± -					
4 PLC ± -					
ANGLES ± -	WEIGHT	0.54kg			RESTRICTED TO
					-
	CUSTOMER DRAWING			SCALE	SHEET
					1 OF 1
					REV
					A

