



Product Compliance

[For compliance documentation, visit the product page on TE.com>](#)

| | |
|---|--|
| EU RoHS Directive 2011/65/EU | Compliant |
| EU ELV Directive 2000/53/EC | Compliant |
| China RoHS 2 Directive MIIT Order No 32, 2016 | No Restricted Materials Above Threshold |
| EU REACH Regulation (EC) No. 1907/2006 | Current ECHA Candidate List: JUNE 2024 (241) Candidate List Declared Against: JAN 2024 (240) Does not contain REACH SVHC |
| Halogen Content | Low Halogen - Br, Cl, F, I < 900 ppm per homogenous material. Also BFR/CFR/PVC Free |
| Solder Process Capability | Not applicable for solder process capability |

Product Compliance Disclaimer

This information is provided based on reasonable inquiry of our suppliers and represents our current actual knowledge based on the information they provided. This information is subject to change. The part numbers that TE has identified as EU RoHS compliant have a maximum concentration of 0.1% by weight in homogenous materials for lead, hexavalent chromium, mercury, PBB, PBDE, DBP, BBP, DEHP, DIBP, and 0.01% for cadmium, or qualify for an exemption to these limits as defined in the Annexes of Directive 2011/65/EU (RoHS2). Finished electrical and electronic equipment products will be CE marked as required by Directive 2011/65/EU. Components may not be CE marked. Additionally, the part numbers that TE has identified as EU ELV compliant have a maximum concentration of 0.1% by weight in homogenous materials for lead, hexavalent chromium, and mercury, and 0.01% for cadmium, or qualify for an exemption to these limits as defined in the Annexes of Directive 2000/53/EC (ELV). Regarding the REACH Regulation, the information TE provides on SVHC in articles for this part number is based on the latest European Chemicals Agency (ECHA) 'Guidance on requirements for substances in articles' posted at this URL: <https://echa.europa.eu/guidance-documents/guidance-on-reach>

Compatible Parts



TE Part # 725929
KFZ REPAIR KIT - LARGE



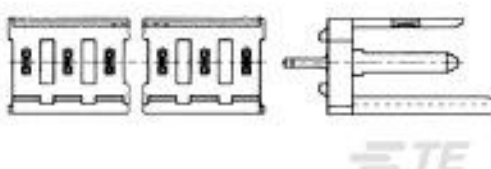
TE Part # 8-165429-1
SHUR PLUG REC ASSY .156 DIA



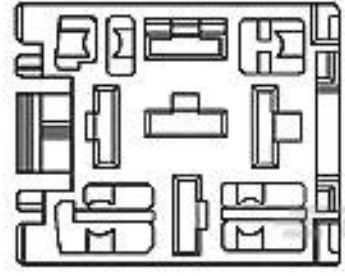
TE Part # 165429-1
SHUR PLUG REC.ASSY

TE Part # 1SET164006R0000

Customers Also Bought



TE Part #280611-2
6P MOD 1 SHROUDED HEADER, ST,
0.4 Au



TE Part #280289
MODULAR RELAY CONN.



TE Part #2050994-1
JPT 3POS SEALED PLUG ASSY



TE Part #968072-2
PQ5,2 Sn rec LL unseal. >1,0-2,5



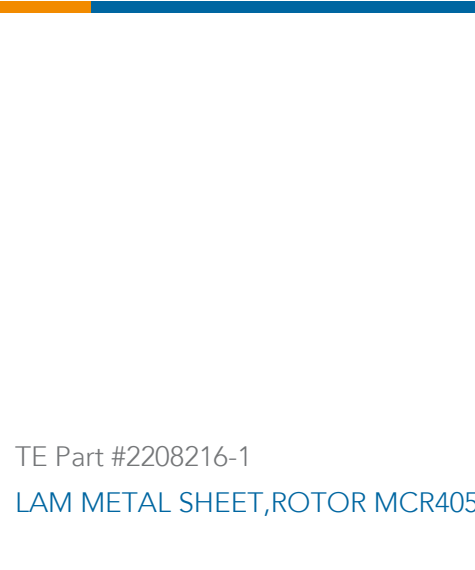
TE Part #2-2303816-4
DT06-3S-TE82, PLG, 3P, BLK, E,
SNAPXCAP



TE Part #2119144-1
CCII D1000 S REC TAB CONT 30-28
ASSY



TE Part #8-456406-3
CRIMPER, WIRE .090 F PREMIUM



TE Part #2208216-1
LAM METAL SHEET, ROTOR MCR405



TE Part #1106425-4
HIPK.6/16.STS.1M25G



TE Part #2-1103007-3
HD.16.BU.C

Documents

Product Drawings

[SUPER CHAMP III](#)

English

Instruction Sheets

[Instruction Sheet \(U.S.\)](#)

English