



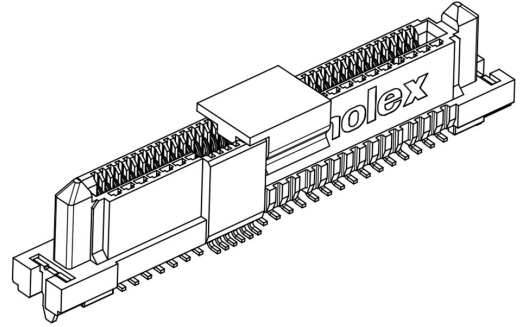
Part Number : [2079721004](#)

Product Description : 1.27mm Signal Pitch, 0.80mm Signal Pitch, 1.27mm Power Pitch SAS-4/PCIe-4 Receptacle, Vertical, Surface Mount, with 1.70mm Blade, 8.15mm Height, 1.05mm Peg Length, 1.00mm Minimum PCB Thickness, 68 Circuits, with Cap, Embossed Tape and Reel, Lead-Free

Series Number : 207972

Status : Active

Product Category : I/O Connectors



Documents & Resources

Drawings

[2079721004_sd.pdf](#)

[2079720008-PK-PKG.pdf](#)

3D Models and Design Files

[2079721004_stp.zip](#)

[2079720001-000.pdf](#)

[2079720001-001.pdf](#)

[2079720001-011.pdf](#)

[2079720001-000.zip](#)

[2079720001-001.zip](#)

[2079720001-011.zip](#)


Specifications

[2079720001-000.pdf](#)

[2079720001-PS-000.pdf](#)

Product Environment Compliance

Compliance

GADSL/IMDS	Not Relevant
China RoHS	
EU ELV	Not Relevant
Low-Halogen Status	Low-Halogen per IEC 61249-2-21
REACH SVHC	Not Contained per D(2024)6225-DC (07 Nov 2024)
EU RoHS	Compliant per EU 2015/863

Multiple Part Product Compliance Statements

- Eu RoHS
- REACH SVHC
- Low-Halogen

Multiple Part Industry Compliance Documents

- IPC 1752A Class C
- IPC 1752A Class D
- Molex Product Compliance Declaration
- IEC-62474
- chemSHERPA (xml)

EU RoHS Certificate of Compliance

Part Details

General

Status	Active
Category	I/O Connectors
Series	207972
Description	1.27mm Signal Pitch, 0.80mm Signal Pitch, 1.27mm Power Pitch SAS-4/PCIe-4 Receptacle, Vertical, Surface Mount, with 1.70mm Blade, 8.15mm Height, 1.05mm Peg Length, 1.00mm Minimum PCB Thickness, 68 Circuits, with Cap, Embossed Tape and Reel, Lead-Free
Application	Board-to-Board
Comments	With Cap
Component Type	Receptacle
Product Name	SAS-4/PCIe-4,U.2 (SFF-8639)
Type	N/A
UPC	191130074785

Electrical

Current - Maximum per Contact	1.5A
Voltage - Maximum	29V AC (RMS)/DC

Physical

Circuits Detail	Signal 53, Power 15
-----------------	---------------------

Circuits (Loaded)	68
Color - Resin	Black
Durability (mating cycles max)	500
Gender	Female
Keying to Mating Part	Yes
Lock to Mating Part	None
Material - Metal	Copper Alloy
Material - Plating Mating	Gold
Material - Plating Termination	Tin
Material - Resin	Liquid Crystal Polymer
Net Weight	1.879/g
Number of Rows	2
Orientation	Vertical
Packaging Type	Embossed Tape on Reel
Panel Mount	No
PCB Locator	Yes
PCB Retention	Yes
PCB Thickness - Recommended	1.00mm min.
Pitch - Mating Interface	0.80mm, 1.27mm
Pitch - Termination Interface	0.80mm, 1.27mm
Plating min - Mating	0.762µm
Plating min - Termination	2.540µm
Polarized to Mating Part	Yes
Polarized to PCB	Yes
Temperature Range - Operating	-55° to +85°C
Termination Interface Style	Surface Mount

Solder Process Data

Max-Duration	10
Lead-Free Process Capability	REFLOW
Max-Cycle	1
Max-Temp	260

Mates With / Use With

Mates with Part(s)

Description	Part Number
Mates With	U.2 (SFF-8639) Plugs, SFF-8482 and SFF-8680 Plugs, SAS / SATA Plugs

This document was generated on Feb 13, 2025