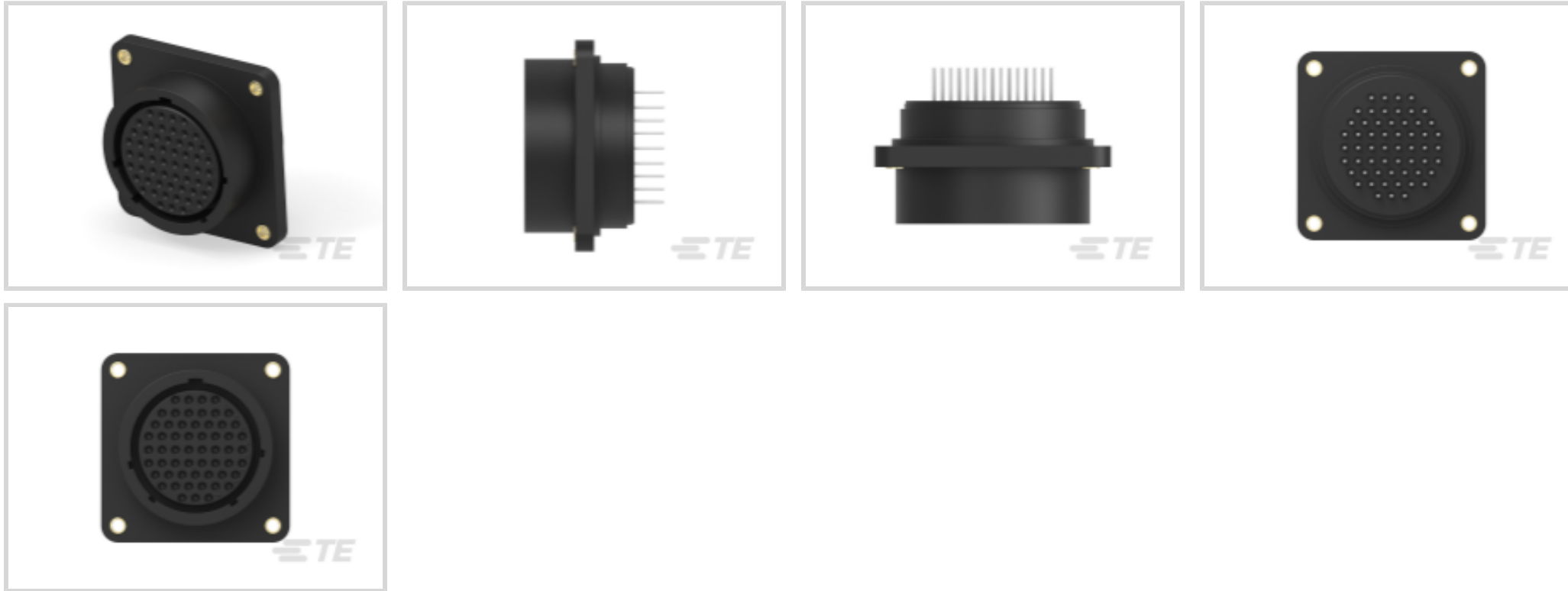




Connectors > Power Connectors > Circular Power > Circular Power Connectors



Connector Product Type: **Connector Assembly**

Operating Voltage: **250 VDC**

Connector System: **Wire-to-Board**

Number of Positions: **57**

Sealable: **No**

### Features

#### Product Type Features

Connector Product Type	Connector Assembly
Connector System	Wire-to-Board
Sealable	No
Connector & Contact Terminates To	Printed Circuit Board
Connector & Housing Type	Receptacle
Circular Connector Shell Type	All Plastic

#### Configuration Features

Number of Positions	57
Number of Power Positions	0
Number of Signal Positions	57

#### Electrical Characteristics

Operating Voltage	250 VAC
-------------------	---------

#### Contact Features

Reverse Gender	Yes
----------------	-----



Contact Type	Socket
Contact Current Rating (Max)	7.5 A
Contact Protection	With

#### Termination Features

Termination Method to Printed Circuit Board	Through Hole - Solder
---	-----------------------

#### Mechanical Attachment

Mating Alignment Type	Keyed
Mating Alignment	With
Panel Mount Feature Type	Flange with Threaded Inserts
Mating Retention Type	Threaded Coupling
Connector Mounting Type	Panel Mount
Mating Retention	With
Panel Mount Feature	With

#### Housing Features

Housing Color	Black
Housing Material	Thermoplastic
Circular Connector Shell Size	23

#### Dimensions

Assembly Length	29.69 mm[1.169 in]
-----------------	--------------------

#### Usage Conditions

Operating Temperature Range	-55 – 105 °C[-67 – 221 °F]
Fluid Resistance	None

#### Operation/Application

Circuit Application	Signal
Shielded	No

#### Industry Standards

UL Flammability Rating	UL 94V-0
------------------------	----------

#### Packaging Features

Packaging Quantity	12
Packaging Method	Bag



## Product Compliance

[For compliance documentation, visit the product page on TE.com>](#)

EU RoHS Directive 2011/65/EU	Compliant with Exemptions
EU ELV Directive 2000/53/EC	Compliant with Exemptions
China RoHS 2 Directive MIIT Order No 32, 2016	Restricted Materials Above Threshold
EU REACH Regulation (EC) No. 1907/2006	Current ECHA Candidate List: JUNE 2024 (241) Candidate List Declared Against: JAN 2024 (240) SVHC > Threshold: Pb (3.7% in Component Part) <b>Article Safe Usage Statements:</b> Do not eat, drink or smoke when using this product. Wash thoroughly after handling. Recycle if possible and dispose of the article by following all applicable governmental regulations relevant to your geographic location.
Halogen Content	BFR/CFR/PVC Free, but Br/Cl >900 ppm in other sources.
Solder Process Capability	Wave solder capable to 265°C

### Product Compliance Disclaimer

This information is provided based on reasonable inquiry of our suppliers and represents our current actual knowledge based on the information they provided. This information is subject to change. The part numbers that TE has identified as EU RoHS compliant have a maximum concentration of 0.1% by weight in homogenous materials for lead, hexavalent chromium, mercury, PBB, PBDE, DBP, BBP, DEHP, DIBP, and 0.01% for cadmium, or qualify for an exemption to these limits as defined in the Annexes of Directive 2011/65/EU (RoHS2). Finished electrical and electronic equipment products will be CE marked as required by Directive 2011/65/EU. Components may not be CE marked. Additionally, the part numbers that TE has identified as EU ELV compliant have a maximum concentration of 0.1% by weight in homogenous materials for lead, hexavalent chromium, and mercury, and 0.01% for cadmium, or qualify for an exemption to these limits as defined in the Annexes of Directive 2000/53/EC (ELV). Regarding the REACH Regulation, the information TE provides on SVHC in articles for this part number is based on the latest European Chemicals Agency (ECHA) 'Guidance on requirements for substances in articles' posted at this URL: <https://echa.europa.eu/guidance-documents/guidance-on-reach>

## Compatible Parts



Also in the Series | [AMP CPC](#)



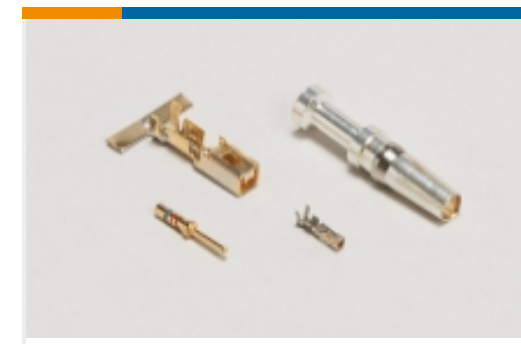
Circular Power Connectors(458)



Connector Backshells(1)



Connector Caps &amp; Covers(19)



Connector Contacts(6)



Connector Hardware(12)



Connector Seals &amp; Cavity Plugs(36)



Connector Strain Relief(60)



Insertion &amp; Extraction Tools(1)



Sealing Sleeves(2)

## Customers Also Bought



TE Part #205558-2  
AMPLIMITE,ASY,PLUG,STD,109,2



TE Part #2-1825138-0  
A201SDZQ04



TE Part #1-1879456-1  
TE 2000W 6R8 5% Bracket

## Documents

### CAD Files

#### 3D PDF

English

#### Customer View Model

[ENG\\_CVM\\_796329-3\\_F.2d\\_dxf.zip](#)

English

#### Customer View Model

[ENG\\_CVM\\_796329-3\\_F.3d\\_igs.zip](#)



English

**Customer View Model**

[ENG\\_CVM\\_796329-3\\_F.3d\\_stp.zip](#)

English

By downloading the CAD file I accept and agree to the [Terms and Conditions](#) of use.

---

**Product Specifications**

[Application Specification](#)

English

---

**Instruction Sheets**

[Instruction Sheet \(U.S.\)](#)

English

[Instruction Sheet \(U.S.\)](#)

English