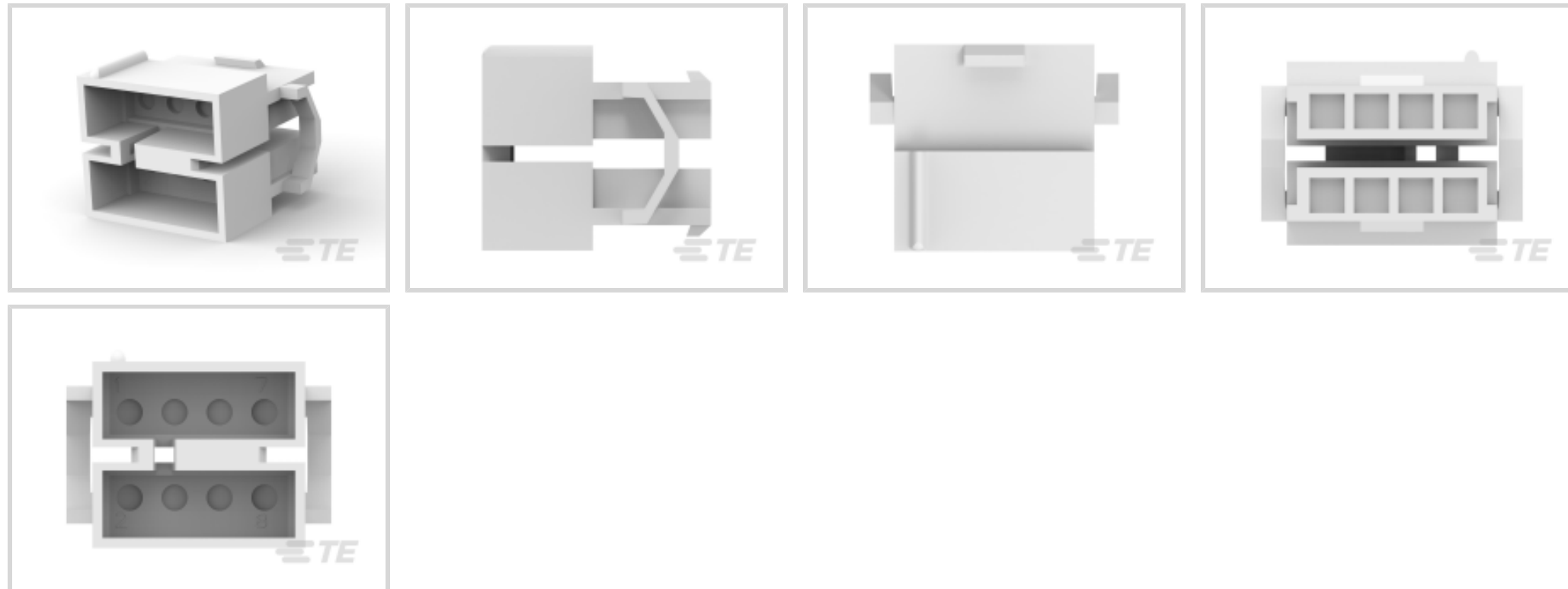




Connectors > Power Connectors > Rectangular Power > Rectangular Power Connectors



Rectangular Power Connector Type: **Housing**

Connector & Housing Type: **Receptacle**

Connector System: **Wire-to-Panel, Wire-to-Wire**

Number of Positions: **8**

Centerline (Pitch): **4.95 mm [.195 in]**

Features

Product Type Features

Rectangular Power Connector Type	Housing
Connector & Housing Type	Receptacle
Connector System	Wire-to-Panel, Wire-to-Wire
Sealable	No
Connector & Contact Terminates To	Wire & Cable

Configuration Features

Number of Positions	8
Number of Rows	2

Electrical Characteristics

Operating Voltage	250 VAC
-------------------	---------

Contact Features

Multiple Contact Types	Without
Contact Layout	Matrix
Contact Retention Within Housing	Without



Contact Type	Pin
--------------	-----

Termination Features

Termination Method to Wire & Cable	Crimp
------------------------------------	-------

Mechanical Attachment

Panel Mount Feature	With
---------------------	------

Panel Mount Feature Type	Mounting Brackets
--------------------------	-------------------

Connector Mounting Type	Panel Mount
-------------------------	-------------

Housing Features

Centerline (Pitch)	4.95 mm[.195 in]
--------------------	------------------

Housing Color	Natural
---------------	---------

Housing Material	Nylon 6/6
------------------	-----------

Dimensions

Panel Thickness (Recommended)	25.9 – 64.51 mm[1.02 – 2.54 in]
-------------------------------	---------------------------------

Connector Height	23.62 mm[.93 in]
------------------	------------------

Product Width	28.45 mm[1.12 in]
---------------	-------------------

Product Length	14.73 mm[.579 in]
----------------	-------------------

Row-to-Row Spacing	9.14 mm[.36 in]
--------------------	-----------------

Usage Conditions

Operating Temperature Range	-55 – 105 °C[-67 – 221 °F]
-----------------------------	----------------------------

Operation/Application

Circuit Application	Power & Signal
---------------------	----------------

Identification Marking

Circuit Identification Feature	Without
--------------------------------	---------

Industry Standards

CSA Rating	Certified
------------	-----------

UL Rating	Recognized
-----------	------------

Compatible With Agency/Standards Products	CSA, UL
---	---------

Compatible With Approved Standards Products	UL E28476
---	-----------

UL Flammability Rating	UL 94V-2
------------------------	----------

Glow Wire Rating	Standard Part - Not Glow Wire
------------------	-------------------------------

Packaging Features



Packaging Quantity	1
Packaging Method	Package

Product Compliance

[For compliance documentation, visit the product page on TE.com>](#)

EU RoHS Directive 2011/65/EU	Compliant
EU ELV Directive 2000/53/EC	Compliant
China RoHS 2 Directive MIIT Order No 32, 2016	No Restricted Materials Above Threshold
EU REACH Regulation (EC) No. 1907/2006	Current ECHA Candidate List: JUNE 2024 (241) Candidate List Declared Against: JUNE 2024 (241) Does not contain REACH SVHC
Halogen Content	Low Halogen - Br, Cl, F, I < 900 ppm per homogenous material. Also BFR/CFR/PVC Free
Solder Process Capability	Not applicable for solder process capability

Product Compliance Disclaimer

This information is provided based on reasonable inquiry of our suppliers and represents our current actual knowledge based on the information they provided. This information is subject to change. The part numbers that TE has identified as EU RoHS compliant have a maximum concentration of 0.1% by weight in homogenous materials for lead, hexavalent chromium, mercury, PBB, PBDE, DBP, BBP, DEHP, DIBP, and 0.01% for cadmium, or qualify for an exemption to these limits as defined in the Annexes of Directive 2011/65/EU (RoHS2). Finished electrical and electronic equipment products will be CE marked as required by Directive 2011/65/EU. Components may not be CE marked. Additionally, the part numbers that TE has identified as EU ELV compliant have a maximum concentration of 0.1% by weight in homogenous materials for lead, hexavalent chromium, and mercury, and 0.01% for cadmium, or qualify for an exemption to these limits as defined in the Annexes of Directive 2000/53/EC (ELV). Regarding the REACH Regulation, the information TE provides on SVHC in articles for this part number is based on the latest European Chemicals Agency (ECHA) 'Guidance on requirements for substances in articles' posted at this URL: <https://echa.europa.eu/guidance-documents/guidance-on-reach>

Compatible Parts

 <p>TE Part # 60618-5 CMNL PIN AUBR L/P</p>	 <p>TE Part # 60618-4 CMNL PIN PTPPHBZL/P</p>	 <p>TE Part # 61174-1 CMNL PIN L/P PTBR</p>	 <p>TE Part # 60620-1 CMNL PIN 20-14 TPBR L/P</p>
--	--	--	--




TE Part # 60620-4
CMNL PIN 20-14 TPPHBZ L/P



TE Part # 163305-2
MATENLOK PIN SDW



TE Part # 61118-5
CMNL PIN 20-14 AUNIBR



TE Part # 61116-4
CMNL PIN 24-18 PTPHBZ



TE Part # 163555-6
MATENLOK PIN



TE Part # 61116-6
CMNL PIN 24-18 AUNIPHBZ



TE Part # 61116-5
CMNL PIN 24-18 AUNIBR



TE Part # 350558-1
MNL PIN SPECIAL .0126 PTPBR



TE Part # 61118-4
CMNL PIN 20-14 TPPHBZ



TE Part # 925075-7
4W CIRCULAR MATE-N-LOK PIN HSG NAT



TE Part # 350079-1
MNL PIN 30-22 PTPBR



TE Part # 163301-6
MATENLOK PIN



TE Part # 163301-8
MATENLOK PIN



TE Part # 61116-1
CMNL PIN 24-18 PTPBR




TE Part # 61527-2
CMNL GROUNING PIN 22-18 PTPBR




TE Part # 163303-6
MATE-N-LOK PIN


Also in the Series | Commercial Pin and Socket Connectors




Connector Contacts(41)



Insertion & Extraction Tools(3)



Rectangular Connector Housings(10)

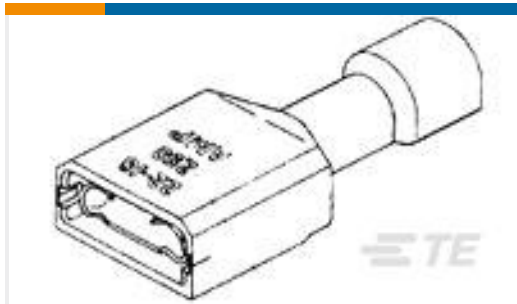


Rectangular Power Connectors(84)

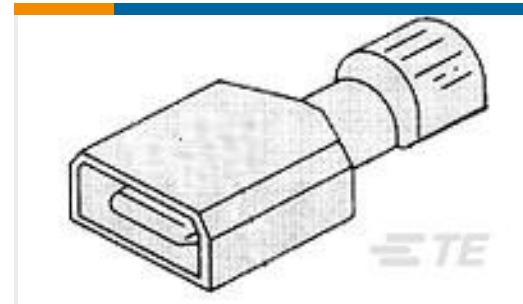


Standard Circular Connectors(1)

Customers Also Bought



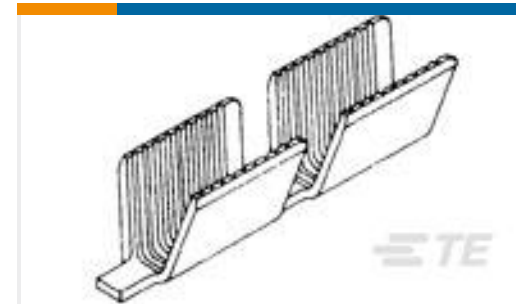
TE Part #4-520447-2
ULTRA-FAST 250 ASY REC 12-10 AWG
TPBR



TE Part #2-520102-2
ULTRA-FAST 250 ASSEMBLY TAB 22-
18 AWG BR



TE Part #350218-1
UMNL PIN 20-14 .0126PTPBR



TE Part #62306-2
AMVAR SPLC 1500-5000 020TPBR

Documents

Product Drawings

08P CMNL CAP HSG D/L

English

CAD Files

3D PDF

3D

Customer View Model

[ENG_CVM_CVM_794048-1_C.2d_dxf.zip](#)

English

Customer View Model

[ENG_CVM_CVM_794048-1_C.3d_igs.zip](#)

English

Customer View Model

[ENG_CVM_CVM_794048-1_C.3d_stp.zip](#)

English

By downloading the CAD file I accept and agree to the [Terms and Conditions](#) of use.

Product Specifications

Application Specification

English

Agency Approvals

Agency Approval Document

English

Agency Approval Document



English