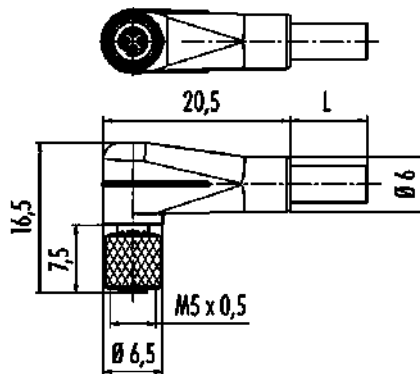


Product description	M5 Female angled connector, Contacts: 3, unshielded, moulded on the cable, IP67, UL, M5x0.5, PUR, black, 3 x 0.25 mm ² , 5 m
-	-
Area	M5 series 707
Part no.	77 3454 0000 50003-0500

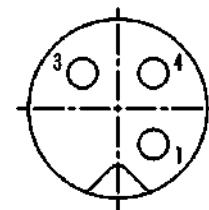
Illustration



Scale drawing



Contact arrangement (Plug-in side)



- 1 brown
- 2 not assembled
- 3 blue
- 4 black

Technical data

General features

Part no.	77 3454 0000 50003-0500
	Alternative part no.: 79 3104 35 03
Notice	Please note that, due to the change from the old to the new order number, there may be deviations in the technical specifications. For questions about product details, please use the 'Contact Customer Service' form on the right.
Connector design	Female angled connector
Cable length	5 m
Version	Connector socket angled
Connector locking system	screw
Termination	moulded on the cable
Degree of protection	IP67
Cross-sectional area	0.25 mm ² / AWG 24
Temperature range from/to	-25 °C / 80 °C
Mechanical operation	> 100 Mating cycles
Weight (g)	189
Customs tariff number	85444290

Electrical parameters

Rated voltage	60 V
Rated impulse voltage	800 V
Rated current (40 °C)	1.0 A
Insulation resistance	> 10 ⁹ Ω
Pollution degree	3
Overvoltage category	II
Insulating material group	I
EMC compliance	unshielded

Product description	M5 Female angled connector, Contacts: 3, unshielded, moulded on the cable, IP67, UL, M5x0.5, PUR, black, 3 x 0.25 mm², 5 m
-	-
Area	M5 series 707
Part no.	77 3454 0000 50003-0500

Material

Housing material	PUR
Contact body material	PUR
Contact material	CuSn (bronze)
Contact plating	Au (gold)
Locking material	CuZn (brass)
REACH SVHC	CAS 7439-92-1 (Lead)
SCIP number	d0ea6fb7-54c5-42af-99f9-a10b2a66c12a

Authorization/approvals

Approvals	UL
-----------	----

Classifications

eCl@ss 11.1	27-06-03-11
ETIM 7.0	EC001855

Declarations of conformity

Low Voltage Directive	2014/35/EU (EN 60204-1:2018;EN 60529:1991)
RoHS Directive	2011/65/EU (EN 50581:2012)

Cable data - Structure of the cable

Cable diameter	3.7 mm
Cross section	3 x 0.25 mm ²
Sheath material	PUR
Single-lead insulation	PUR
Single-lead structure	32 x 0.10 mm
Cable color	black

Cable data - Electrical properties

Conductor resistance	79 Ω/Km (20°C)
----------------------	----------------

Cable data - Mechanical properties

Bending radius, fixed cable	≥ 5 x Ø
Bending radius, moving cable	≥ 10 x Ø

Cable data - Thermal properties

Temperature range cable in move from/to	-5 °C / 80 °C
Temperature range cable fixed from/to	-25 °C / 80 °C

Cable data - Other features

Halogen free	yes
--------------	-----

Product description	M5 Female angled connector, Contacts: 3, unshielded, moulded on the cable, IP67, UL, M5x0.5, PUR, black, 3 x 0.25 mm², 5 m
-	-
Area	M5 series 707
Part no.	77 3454 0000 50003-0500

General Disclaim Notice

The connectors have been developed for applications in plant engineering, control and electrical equipment construction. The user is responsible for checking whether the connectors can also be used in other areas of application.

Plug connectors with enclosure protection IP67 and IP68 are not suitable for use under water. When used outdoors, the plug connectors must be protected separately against corrosion. For further information on the IP protection classes, please refer to the "Technical Information" download centre.

To lock the cable connector with the device connector, the threaded ring is tightened "hand-tight" (approx. 50 cNm).