
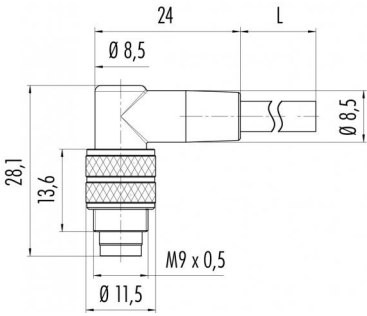
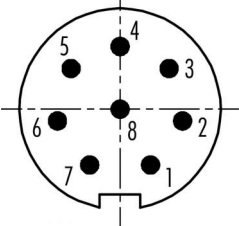


Product description	M9 IP67 male angled connector, Contacts: 8, unshielded, moulded on cable, IP67, PUR black, 8 x 0.14 mm ²
Area	M9 IP67 series 702
Order number	79 1461 272 08

Illustration	Scale drawing	Contact arrangement (Plug-in side)																
		 <table border="0" style="margin-left: auto; margin-right: auto;"> <tr><td>1</td><td>white</td></tr> <tr><td>2</td><td>brown</td></tr> <tr><td>3</td><td>green</td></tr> <tr><td>4</td><td>yellow</td></tr> <tr><td>5</td><td>grey</td></tr> <tr><td>6</td><td>pink</td></tr> <tr><td>7</td><td>blue</td></tr> <tr><td>8</td><td>red</td></tr> </table>	1	white	2	brown	3	green	4	yellow	5	grey	6	pink	7	blue	8	red
1	white																	
2	brown																	
3	green																	
4	yellow																	
5	grey																	
6	pink																	
7	blue																	
8	red																	

Technical data

General features

Order number	79 1461 272 08
Connector design	male angled connector
Cable length	2 m
Version	connector male angled
Connector locking system	screw
Termination	moulded on cable
Degree of protection	IP67
Cross-sectional area	0.14 mm ² / AWG 26
Temperature range from/to	-25 °C / 70 °C
Mechanical operation	> 500 Mating cycles
Weight (g)	72
Customs tariff number	85444290

Electrical parameters

Rated voltage	125 V
Rated impulse voltage	1500 V
Rated current (40 °C)	1 A
Insulation resistance	≥ 10 ¹⁰ Ω
Pollution degree	1
Overvoltage category	II
Insulating material group	III
EMC compliance	unshielded

Material

Housing material	PUR
Contact body material	PBT (UL94 V-0)
Contact material	CuZn (brass)
Contact plating	Au (gold)
Locking material	CuZn (Brass nickel plated)
REACH SVHC	CAS 7439-92-1 (Lead)

Classifications

eCl@ss 11.1	27-06-03-11
ETIM 7.0	EC001855

Declarations of conformity

Low Voltage Directive	2014/35/EU (EN 60204-1:2018;EN 60529:1991)
RoHS Directive	2011/65/EU (EN 50581:2012)

Cable data

Cable diameter	5.0 mm
Cross section	8 x 0.14 mm ²
Sheath material	PUR
Single-lead insulation	PVC/PE
Single-lead structure	18x0,1 mm
Cable color	black
Temperature range cable in move from/to	-5°C / +70°C
Temperature range cable fixed from/to	-25°C / +70°C
Halogen free	No

Product description	M9 IP67 male angled connector, Contacts: 8, unshielded, moulded on cable, IP67, PUR black, 8 x 0.14 mm²
Area	M9 IP67 series 702
Order number	79 1461 272 08

Security notices

The connector must not be plugged or unplugged under load. Non-observance and improper use can result in personal injury.

The connectors have been developed for applications in plant engineering, control and electrical equipment construction. The user is responsible for checking whether the connectors can also be used in other areas of application.

Plug connectors with enclosure protection IP 67 and IP 68 are not suitable for use under water. When used outdoors, the plug connectors must be protected separately against corrosion. For further information on the IP protection classes, please refer to the "Technical Information" download centre. To lock the cable connector with the device connector, the threaded ring is tightened "hand-tight" (approx. 50 cNm).