

Product data sheet

Subminiature connectors

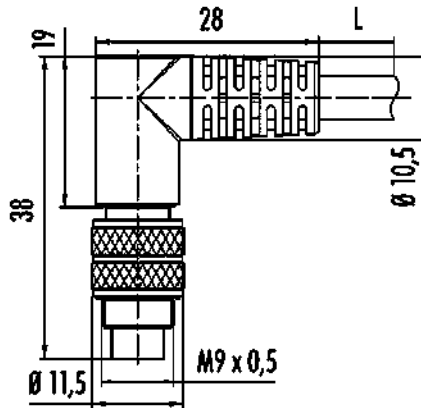


Product description	M9 IP67 Female angled connector, Contacts: 5, shielded, moulded on the cable, IP67, PUR, black, 5 x 0.25 mm ² , 2 m
Area	M9 IP67 series 702
Part no.	79 1414 72 05

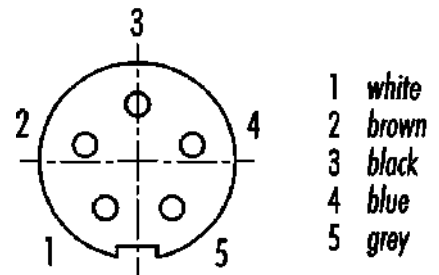
Illustration



Scale drawing



Contact arrangement (Plug-in side)



Technical data

General features

Part no.	79 1414 72 05
Connector design	Female angled connector
Cable length	2 m
Version	Connector socket angled
Connector locking system	screw
Termination	moulded on the cable
Degree of protection	IP67
Cross-sectional area	0.25 mm ² / AWG 24
Temperature range from/to	-25 °C / 70 °C
Mechanical operation	> 500 Mating cycles
Weight (g)	84.80
Customs tariff number	85444290

Electrical parameters

Rated voltage	125 V
Rated impulse voltage	1500 V
Rated current (40 °C)	3,0 A
Insulation resistance	≥ 10 ⁹ Ω
Pollution degree	1
Overvoltage category	II
Insulating material group	III
EMC compliance	shielded
Shield connection	Shield on the threaded ring

Material

Housing material	PUR
------------------	-----

Product data sheet

Subminiature connectors



Product description	M9 IP67 Female angled connector, Contacts: 5, shielded, moulded on the cable, IP67, PUR, black, 5 x 0.25 mm², 2 m
-	-
Area	M9 IP67 series 702
Part no.	79 1414 72 05

Contact body material	PBT (UL94 V-0)
Contact material	CuSn (bronze)
Contact plating	Au (gold)
Locking material	CuZn (brass)
REACH SVHC	CAS 7439-92-1 (Lead)
SCIP number	024e8f4e-f594-4b9e-97c2-5d893dff38f

Classifications

eCl@ss 11.1	27-06-03-11
ETIM 7.0	EC001855

Declarations of conformity

Low Voltage Directive	2014/35/EU (EN 60204-1:2018;EN 60529:1991)
RoHS Directive	2011/65/EU (EN 50581:2012)

Cable data - Structure of the cable

Cable diameter	4.8 mm
Cross section	5 x 0.25 mm ²
Sheath material	PUR
Single-lead insulation	PP
Single-lead structure	32 x 0.10 mm
Cable color	black

Cable data - Electrical properties

Conductor resistance	75 Ω/Km (20°C)
----------------------	----------------

Cable data - Mechanical properties

Bending radius, fixed cable	≥ 5 x Ø
Bending radius, moving cable	≥ 10 x Ø
Bending cycles	> 2 million
Travel speed	at 5 m horizontal path -> 200 m/min

Cable data - Thermal properties

Temperature range cable in move from/to	-25 °C / 90 °C
Temperature range cable fixed from/to	-50 °C / 90 °C

Cable data - Other features

Halogen free	yes
--------------	-----

Product description	M9 IP67 Female angled connector, Contacts: 5, shielded, moulded on the cable, IP67, PUR, black, 5 x 0.25 mm², 2 m
-	-
Area	M9 IP67 series 702
Part no.	79 1414 72 05

General Disclaim Notice

The connector must not be plugged or unplugged under load. Non-observance and improper use can result in personal injury.

The connectors have been developed for applications in plant engineering, control and electrical equipment construction. The user is responsible for checking whether the connectors can also be used in other areas of application.

To lock the cable connector with the device connector, the threaded ring is tightened "hand-tight" (approx. 50 cNm).