

PLEASE CHECK WWW.MOLEX.COM FOR LATEST PART INFORMATION

Part Number: [0788470001](#)

Status: **Active**

Overview: Serial Attached SCSI (SAS) Connectors

Description: 1.27mm Signal Pitch, 0.80mm Signal Pitch, 1.27mm Power Pitch SAS-3 Receptacle, Right-Angle, Surface Mount, with Blade, 5.85mm Height, 3.50mm Peg Length, 2.36mm PCB Thickness, 29 Circuits, with Cap, Embossed Tape and Reel, Lead-Free

Documents:

[3D Model](#)

[3D Model \(PDF\)](#)

[Drawing \(PDF\)](#)

[RoHS Certificate of Compliance \(PDF\)](#)

Agency Certification

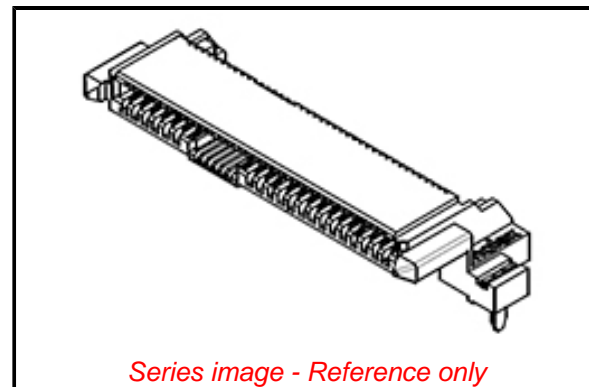
CSA LR19980
UL E29179

General

Product Family I/O Connectors
Series [78847](#)
Application Board-to-Board
Comments With Cap
Component Type Receptacle
Electrical Model Yes
Overview Serial Attached SCSI (SAS) Connectors
Product Name SAS 12G, SAS-3
Type N/A
UPC 887191436296

Physical

Circuits (Loaded) 29
Circuits Detail Signal 14, Power 15
Color - Resin Black
Durability (mating cycles max) 500
Flammability 94V-0
Gender Female
Keying to Mating Part Yes
Lock to Mating Part None
Material - Metal Copper Alloy
Material - Plating Mating Gold
Material - Plating Termination Tin
Material - Resin Liquid Crystal Polymer
Net Weight 2.570/g
Number of Rows 2
Orientation Right Angle
PCB Locator Yes
PCB Retention Yes
PCB Thickness - Recommended 2.36mm
Packaging Type Embossed Tape on Reel
Panel Mount No
Pitch - Mating Interface 0.80mm, 1.27mm
Pitch - Termination Interface 0.80mm, 1.27mm
Plating min - Mating 0.762µm
Plating min - Termination 2.540µm
Polarized to Mating Part Yes
Polarized to PCB Yes
Surface Mount Compatible (SMC) Yes
Temperature Range - Operating 0° to +55°C
Termination Interface: Style Surface Mount



Series image - Reference only

EU ELV

Not Relevant

EU RoHS

Compliant

REACH SVHC

Contained Per -
D(2020)4578-DC (25
June 2020)
2-(2H-benzotriazol-2-
yl)-4-(tert-butyl)-6-
(sec-b
2-(2H-benzotriazol-2-
yl)-4,6-
ditertpentylphenol
2-ethylhexyl 10-
ethyl-4,4-dioctyl-7-
oxo-8-oxa-3,
sodium
peroxometaborate
ammoniumpentadecafluorooctanoate
disodium 4-
amino-3-[[4'-[(2,4-
diaminophenyl)azo]
1,3-propanesultone
1-vinylimidazole
dibutyltin dichloride
1,2-diethoxyethane
diisopentylphthalate
disodium 3,3'-[[1,1'-
biphenyl]-4,4'-
diylbis(azo)
decamethylcyclopentasiloxane
dodecamethylcyclohexasiloxane
perfluorooctanoic acid
di-n-pentyl phthalate
(DPP)
furan
4-o-tolylazo-o-
toluidine
ethylene thiourea
4-methyl-m-
phenylenediamine
o-toluidine

China RoHS

Waterproof / Dustproof	No
Electrical	
Current - Maximum per Contact	1.5A
Voltage - Maximum	30V
Solder Process Data	
Duration at Max. Process Temperature (seconds)	010
Lead-free Process Capability	REFLOW
Max. Cycles at Max. Process Temperature	001
Process Temperature max. C	260

Material Info

butyl 4-hydroxybenzoate
phenanthrene
dihexyl phthalate (DnHP)
dicyclohexyl phthalate
p-(1,1-dimethylpropyl)phenol
N-methylacetamide
dimethyl sulphate
4-aminoazobenzene
benzo[a]pyrene
Terphenyl, hydrogenated
Perfluorohexane-1-sulphonic acid and its salts
5-sec-butyl-2-(2,4-dimethylcyclohex-3-en-1-yl)-5
1,2-benzenedicarboxylic acid, di-C6-10-alkyl est
reaction mass of 2-ethylhexyl 10-ethyl-4,4-dioct Cadmium sulphate
Bisphenol-A
Methylhexahydrophthalic anhydride
Perfluorononan-1-oic acid
(2,2,3,3,4,4,5,5,6,6,7
Reaction
products of 1,3,4-thiadiazolidine-2,5-d
Dodecachloropentacyclo[12.2.1.16,9.02,13.05,10]o
Pyrene
Perfluorobutane sulfonic acid (PFBS) and its sal
Tris(4-nonylphenyl, branched and linear) phosphi
Nonadecafluorodecanoic acid (PFDA) and its sodiu
4-Nonylphenol, branched and linear, ethoxylated
Trixylyl phosphate
4-Nonylphenol, branched and linear
[substances w
Zirconia
Aluminosilicate
Refractory Ceramic
Fibr
Aluminosilicate
Refractory Ceramic
Fibres
4,4'-Oxydianiline and its salts
Boric acid

Disodium tetraborate
n-pentyl-
isopentylphthalate
3-ethyl-2-methyl-2-
(3-methylbutyl)-1,3-
oxazolidi
2-benzyl-2-
dimethylamino-4-
morpholinobutyropheno
2-methyl-1-(4-
methylthiophenyl)-2-
morpholinoprop
1,2-
benzenedicarboxylic
acid, dipentylester,
bra
pentacosafuorotridecanoic
acid
diisohexyl phthalate
1,2-
Benzenedicarboxylic
acid, dihexyl ester,
bra
bis(2-methoxyethyl)
phthalate
pentazinc chromate
octahydroxide
trilead diarsenate
arsenic acid
potassium
hydroxyoctaoxidizincatedichromate(1-)
bis(2-methoxyethyl)
ether
1,2-
benzenedicarboxylic
acid; di-C6-8-
branched a
1,2,3-trichloropropane
N-methyl-2-
pyrrolidone
1,2-
benzenedicarboxylic
acid; di-C7-11-
branched
strontium chromate
2-ethoxyethyl acetate
cobalt sulphate
cobalt dinitrate
cobalt carbonate
2-ethoxyethanol
trichloroethylene
tetraboron disodium
heptaoxide, hydrate
potassium dichromate
potassium chromate
Pitch, coal tar, high-
temp.; Pitch
Lead sulfochromate
yellow
Lead chromate
molybdate sulfate red
lead chromate
Anthracene oil,
anthracene-low;
Anthracene Oil F

lead hydrogen
arsenate
bis(2-ethylhexyl)
phthalate (DEHP)
diarsenic trioxide
dibutyl phthalate
(DBP)
4,4'-
diaminodiphenylmethane
dichromium
tris(chromate)
Fatty acids, C16-18,
lead salts
[phthalato(2-)]dioxotrilead
Silicic acid (H₂Si₂O₅),
barium salt (1:1),
lead-
Sulfurous acid, lead
salt, dibasic
lead cyanamidate
lead
bis(tetrafluoroborate)
Lead titanium
zirconium oxide
dioxobis(stearato)trilead
tetralead trioxide
sulphate
pentalead tetraoxide
sulphate
lead titanium trioxide
lead oxide sulfate
Silicic acid, lead salt
lead dinitrate
cadmium
lead
[4-[[4-anilino-1-
naphthyl]]4-
(dimethylamino)phen
1,3,5-
tris(oxiranylmethyl)-1,3,5-
triazine-2,4,6(
Lead oxide
trilead bis(carbonate)
dihydroxide
orange lead
cadmium sulphide
cadmium oxide (non-
pyrophoric)
diboron trioxide
bis(pentabromophenyl)
ether
cadmium carbonate
1,2-bis(2-
methoxyethoxy)ethane
1,2-dimethoxyethane
N,N,N',N'-
tetramethyl-4,4'-
methylenedianiline
2,2'-dichloro-4,4'-
methylenedianiline

**Halogen-Free
Status**

Low-Halogen

For more information, please visit [Contact US](#)

China ROHS	Green Image
ELV	Not Relevant
RoHS Phthalates	Not Contained

Search Parts in this Series

78847 Series

Mates With

SFF-8482 and SFF-8680 Plugs|SAS / SATA
Plugs

This document was generated on 10/16/2020

PLEASE CHECK WWW.MOLEX.COM FOR LATEST PART INFORMATION