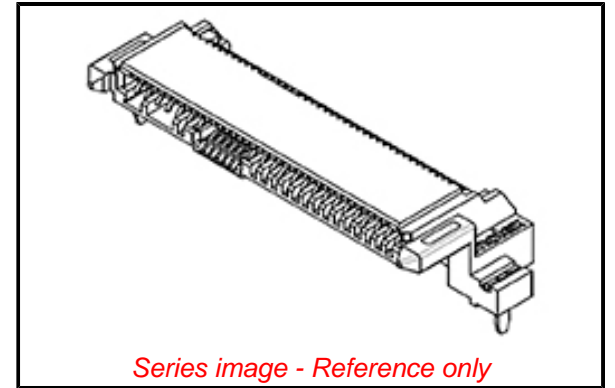


PLEASE CHECK WWW.MOLEX.COM FOR LATEST PART INFORMATION

Part Number: [0788270001](#)
Status: **Active**
Overview: Serial Attached SCSI (SAS) Connectors
Description: 1.27mm Signal Pitch, 0.80mm Signal Pitch, 1.27mm Power Pitch SAS-3/PCIe-3 Receptacle, Right-Angle, Surface Mount, with Blade, 7.07mm Height, 3.50mm Peg Length, 2.36mm PCB Thickness, 68 Circuits, with Cap, Embossed Tape and Reel, Lead-Free



Series image - Reference only

Documents:

| | |
|--------------------------------|--|
| 3D Model | Drawing (PDF) |
| 3D Model (PDF) | RoHS Certificate of Compliance (PDF) |

Agency Certification

| | |
|-----|---------|
| CSA | LR19980 |
| UL | E29179 |

General

| | |
|------------------|---|
| Product Family | I/O Connectors |
| Series | 78827 |
| Application | Board-to-Board |
| Comments | With Cap |
| Component Type | Receptacle |
| Electrical Model | Yes |
| Overview | Serial Attached SCSI (SAS) Connectors |
| Product Name | SAS-3/PCIe-3, U.2 (SFF-8639) |
| Type | N/A |
| UPC | 889056238540 |

Physical

| | |
|--------------------------------|------------------------|
| Circuits (Loaded) | 68 |
| Circuits Detail | Signal 53, Power 15 |
| Color - Resin | Black |
| Durability (mating cycles max) | 500 |
| Flammability | 94V-0 |
| Gender | Female |
| Keying to Mating Part | Yes |
| Lock to Mating Part | None |
| Material - Metal | Copper Alloy |
| Material - Plating Mating | Gold |
| Material - Plating Termination | Tin |
| Material - Resin | Liquid Crystal Polymer |
| Net Weight | 3.838/g |
| Number of Rows | 2 |
| Orientation | Right Angle |
| PCB Locator | Yes |
| PCB Retention | Yes |
| PCB Thickness - Recommended | 2.36mm |
| Packaging Type | Embossed Tape on Reel |
| Panel Mount | No |
| Pitch - Mating Interface | 0.80mm, 1.27mm |
| Pitch - Termination Interface | 0.80mm, 1.27mm |
| Plating min - Mating | 0.762µm |
| Plating min - Termination | 2.540µm |
| Polarized to Mating Part | Yes |
| Polarized to PCB | Yes |
| Surface Mount Compatible (SMC) | Yes |
| Temperature Range - Operating | 0° to +55°C |

EU ELV

Not Relevant

EU RoHS

Compliant

REACH SVHC

Contained Per -
D(2020)4578-DC (25
June 2020)
diisopentylphthalate
1,2-diethoxyethane
dibutyltin dichloride
1-vinylimidazole
1,3-propanesultone
disodium 4-
amino-3-[[4'-[(2,4-
diaminophenyl)azo]
ammoniumpentadecafluorooctanoate
sodium
peroxometaborate
2-ethylhexyl 10-
ethyl-4,4-dioctyl-7-
oxo-8-oxa-3,
2-(2H-benzotriazol-2-
yl)-4,6-
ditertpentylphenol
2-(2H-benzotriazol-2-
yl)-4-(tert-butyl)-6-
(sec-b
Terphenyl,
hydrogenated
1,2-
Benzenedicarboxylic
acid, dihexyl ester,
bra
p-(1,1-
dimethylpropyl)phenol
dicyclohexyl phthalate
dihexyl phthalate
(DnHP)
phenanthrene
butyl 4-
hydroxybenzoate
o-toluidine

China RoHS

Termination Interface: Style
Waterproof / Dustproof

Surface Mount
No

Electrical

Current - Maximum per Contact 1.5A
Voltage - Maximum 30V

Solder Process Data

Duration at Max. Process Temperature (seconds) 010
Lead-free Process Capability REFLOW
Max. Cycles at Max. Process Temperature 001
Process Temperature max. C 260

Material Info

4-methyl-m-phenylenediamine
ethylene thiourea
4-o-tolylazo-o-toluidine
furan
di-n-pentyl phthalate (DPP)
perfluorooctanoic acid
dodecamethylcyclhexasiloxane
decamethylcyclpentasiloxane
disodium 3,3'-[[1,1'-biphenyl]-4,4'-diylbis(azo)1,2-Benzenedicarboxylic acid, dihexyl ester, bra
Tris(4-nonylphenyl, branched and linear) phosphi
Perfluorobutane sulfonic acid (PFBS) and its sal
Pyrene
Dodecachloropentacyclo[12.2.1.16,9.02,13.05,10]o
Reaction products of 1,3,4-thiadiazolidine-2,5-d
Perfluorononan-1-oic acid
(2,2,3,3,4,4,5,5,6,6,7 Methylhexahydrophthalic anhydride
Bisphenol-A
Cadmium sulphate
reaction mass of 2-ethylhexyl 10-ethyl-4,4-dioct
1,2-benzenedicarboxylic acid, di-C6-10-alkyl est
5-sec-butyl-2-(2,4-dimethylcyclohex-3-en-1-yl)-5
Perfluorohexane-1-sulphonic acid and its salts
1,2-Benzenedicarboxylic acid, dihexyl ester, bra
diisohexyl phthalate
pentacosafuorotridecanoic acid
1,2-benzenedicarboxylic acid, dipentylester, bra
2-methyl-1-(4-methylthiophenyl)-2-morpholinoprop

2-benzyl-2-dimethylamino-4-morpholinobutyrophenone
3-ethyl-2-methyl-2-(3-methylbutyl)-1,3-oxazolidinone
n-pentylisopentylphthalate
Disodium tetraborate
Boric acid
4,4'-Oxydianiline and its salts
Aluminosilicate
Refractory Ceramic Fibres
Zirconia
Aluminosilicate
Refractory Ceramic Fibre
4-Nonylphenol, branched and linear [substances with ethoxylated end groups]
Trixylyl phosphate
4-Nonylphenol, branched and linear, ethoxylated
Nonadecafluorodecanoic acid (PFDA) and its sodium salt
1,2-benzenedicarboxylic acid; di-C6-8-branching
bis(2-methoxyethyl) ether
potassium hydroxyoctaoxodizincatedichromate(1-)
arsenic acid
trilead diarsenate
pentazinc chromate octahydroxide
bis(2-methoxyethyl) phthalate
dichromium tris(chromate)
2,2'-dichloro-4,4'-methylenedianiline
N,N,N',N'-tetramethyl-4,4'-methylenedianiline
1,2-dimethoxyethane
1,2-bis(2-methoxyethoxy)ethane
cadmium carbonate
bis(pentabromophenyl) ether
diboron trioxide
cadmium oxide (non-pyrophoric)
4,4'-diaminodiphenylmethane
dibutyl phthalate (DBP)
diarsenic trioxide

bis(2-ethylhexyl)
phthalate (DEHP)
lead hydrogen
arsenate
Anthracene oil,
anthracene-low;
Anthracene Oil F
lead chromate
Lead chromate
molybdate sulfate red
Lead sulfochromate
yellow
Pitch, coal tar, high-
temp.; Pitch
potassium chromate
potassium dichromate
tetraboron disodium
heptaoxide, hydrate
trichloroethylene
2-ethoxyethanol
cobalt carbonate
cobalt dinitrate
cobalt sulphate
2-ethoxyethyl acetate
strontium chromate
1,2-
benzenedicarboxylic
acid; di-C7-11-
branched
N-methyl-2-
pyrrolidone
1,2,3-trichloropropane
cadmium oxide (non-
pyrophoric)
tetralead trioxide
sulphate
dioxobis(stearato)trilead
Lead titanium
zirconium oxide
lead
bis(tetrafluoroborate)
lead cyanamidate
Sulfurous acid, lead
salt, dibasic
Silicic acid (H₂Si₂O₅),
barium salt (1:1),
lead-
[phthalato(2-)]dioxotrilead
Fatty acids, C16-18,
lead salts
benzo[a]pyrene
4-aminoazobenzene
dimethyl sulphate
N-methylacetamide
cadmium sulphide
orange lead
trilead bis(carbonate)
dihydroxide
Lead oxide
1,3,5-
tris(oxiranylmethyl)-1,3,5-
triazine-2,4,6(
[4-[[4-anilino-1-
naphthyl]]4-
(dimethylamino)phen

lead
cadmium
lead dinitrate
Silicic acid, lead salt
lead oxide sulfate
lead titanium trioxide
pentalead tetraoxide
sulphate

Halogen-Free

Status

Low-Halogen

For more information, please visit [Contact US](#)

| | |
|-----------------|---------------|
| China ROHS | Green Image |
| ELV | Not Relevant |
| RoHS Phthalates | Not Contained |

Search Parts in this Series

[78827](#) Series

Mates With

U.2 (SFF-8639) Plugs|SFF-8482 and
SFF-8680 Plugs|SAS / SATA Plugs

This document was generated on 10/16/2020

PLEASE CHECK WWW.MOLEX.COM FOR LATEST PART INFORMATION