

PLEASE CHECK WWW.MOLEX.COM FOR LATEST PART INFORMATION

Part Number: [0788090001](#)

Status: **Active**

Overview: Serial Attached SCSI (SAS) Connectors

Description: 1.27mm Signal Pitch, 0.80mm Signal Pitch, 1.27mm Power Pitch SAS-3/PCIe-3 Receptacle, Right-Angle, Surface Mount, with Forklock, 0.93mm Height, 3.50mm Peg Length, 3.00mm PCB Thickness, 68 Circuits, Embossed Tape and Reel, Lead-Free

Documents:

[3D Model \(PDF\)](#)

[3D Model](#)

[Drawing \(PDF\)](#)

[Product Specification PS-78809-001-001 \(PDF\)](#)

[Application Specification AS-78809-001-001 \(PDF\)](#)

[Packaging Specification PK-78809-001-000 \(PDF\)](#)

[Test Summary TS-78809-001-001 \(PDF\)](#)

[RoHS Certificate of Compliance \(PDF\)](#)

Agency Certification

CSA LR19980

UL E29179

General

Product Family I/O Connectors

Series [78809](#)

Application Board-to-Board

Comments Without Cap

Component Type Receptacle

Electrical Model Yes

Overview Serial Attached SCSI (SAS) Connectors

Product Name SAS-3/PCIe-3, U.2 (SFF-8639)

Type N/A

UPC 887191701844

Physical

Circuits (Loaded) 68

Circuits Detail Signal 53, Power 15

Color - Resin Black

Durability (mating cycles max) 500

Flammability 94V-0

Gender Female

Keying to Mating Part Yes

Lock to Mating Part None

Material - Metal Copper Alloy

Material - Plating Mating Gold

Material - Plating Termination Tin

Material - Resin Liquid Crystal Polymer

Net Weight 2.371/g

Number of Rows 2

Orientation Right Angle

PCB Locator Yes

PCB Retention Yes

PCB Thickness - Recommended 3.00mm

Packaging Type Embossed Tape on Reel

Panel Mount No

Pitch - Mating Interface 0.80mm, 1.27mm

Pitch - Termination Interface 0.80mm, 1.27mm

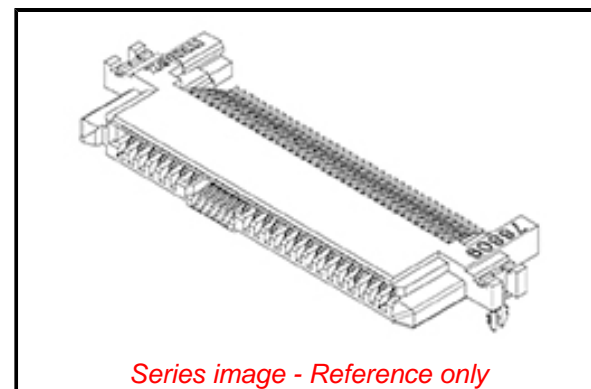
Plating min - Mating 0.762µm

Plating min - Termination 2.540µm

Polarized to Mating Part Yes

Polarized to PCB Yes

Surface Mount Compatible (SMC) Yes



Series image - Reference only

EU ELV

Not Relevant

EU RoHS

Compliant

REACH SVHC

Not Contained Per -
D(2020)4578-DC (25
June 2020)

Halogen-Free

Status

Low-Halogen

For more information, please visit [Contact US](#)

China ROHS

ELV

RoHS Phthalates

China RoHS

Green Image

Not Relevant

Not Contained

Search Parts in this Series

[78809 Series](#)

Mates With

U.2 (SFF-8639) Plugs|SFF-8482 and
SFF-8680 Plugs|SAS / SATA Plugs

Temperature Range - Operating	0° to +55°C
Termination Interface: Style	Surface Mount

Electrical

Current - Maximum per Contact	1.5A
Voltage - Maximum	30V

Solder Process Data

Duration at Max. Process Temperature (seconds)	010
Lead-free Process Capability	REFLOW
Max. Cycles at Max. Process Temperature	001
Process Temperature max. C	260

Material Info**Reference - Drawing Numbers**

Application Specification	AS-78809-001-001
Electrical Model Document	EE-78809-001
Packaging Specification	PK-78809-001-000
Product Specification	PS-78809-001-001
S-Parameter Model	SP-78809-001
Sales Drawing	SD-78809-001
Test Summary	TS-78809-001-001

This document was generated on 09/29/2020

PLEASE CHECK WWW.MOLEX.COM FOR LATEST PART INFORMATION