

PLEASE CHECK WWW.MOLEX.COM FOR LATEST PART INFORMATION

Part Number: [78353-2011](#)

Status: **Active**

Overview: [Impact™ Backplane Connectors and Cable Assemblies](#)

Description: Impact™ 6 Pair, Right Angle Power Header, Right Hold-Down, 2.00mm Pitch, Module 1: Blade A1 & A2; B1 & B2 and C1 & C2 Length 6.90mm; Module 2: Blade A1 & A2; B1 & B2 and C1 & C2 Length 6.90mm; Press-Fit, LCP, Glass Filled UL94-V0, Black

Documents:

[3D Model](#)

[Drawing \(PDF\)](#)

[Product Specification PS-78213-001 \(PDF\)](#)

[RoHS Certificate of Compliance \(PDF\)](#)

Agency Certification

UL E29179

General

Product Family	Backplane Connectors
Series	78353
Application	Conventional, Coplanar
Application Tooling Documents	TM-622018799
Component Type	Power Header
Overview	Impact™ Backplane Connectors and Cable Assemblies
Product Name	Impact™
Style	N/A
UPC	884982802575

Physical

Circuits (Loaded)	12
Circuits (maximum)	12
Color - Resin	Black
Durability (mating cycles max)	200
First Mate / Last Break	No
Flammability	94V-0
Guide to Mating Part	No
Keying to Mating Part	None
Material - Metal	Copper Alloy
Material - Plating Mating	Gold
Material - Plating Termination	Tin
Material - Resin	High Temperature Thermoplastic
Net Weight	35.079/g
Number of Columns	N/A
Number of Pairs	6
Number of Rows	3
Orientation	Right Angle
PC Tail Length	2.50mm
PCB Locator	No
PCB Retention	None
PCB Thickness - Recommended	1.60mm
Packaging Type	Tray
Pitch - Mating Interface	5.20mm
Pitch - Termination Interface	2.00mm, 3.20mm
Plating min - Mating	0.762µm
Plating min - Termination	2.540µm
Polarized to PCB	No
Stackable	No
Surface Mount Compatible (SMC)	No
Temperature Range - Operating	-20°C to +85°C

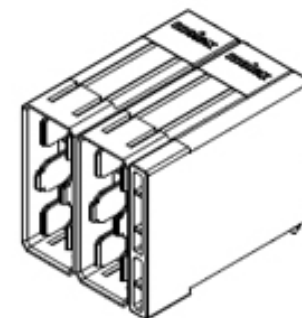


image - Reference only

Series

EU RoHS

ELV and RoHS Compliant

REACH SVHC

Contains SVHC: No Low-Halogen Status Low-Halogen

China RoHS



Need more information on product environmental compliance?

Email productcompliance@molex.com
For a multiple part number RoHS Certificate of Compliance, [click here](#)

Please visit the [Contact Us](#) section for any non-product compliance questions.

Search Parts in this Series

[78353Series](#)

Mates With

[78218 Impact™ Vertical Power Receptacle](#)

Application Tooling | FAQ

Tooling specifications and manuals are found by selecting the products below. Crimp Height Specifications are then contained in the Application Tooling Specification document.

Global

Description	Product #
Press-In Tool for Power Module Assembly, 6-Pair Assemblies	0622018669
Impact™ Power Module Right Angle Removal Tool	0622024500

Termination Interface: Style

Through Hole - Compliant Pin

Electrical

Current - Maximum per Contact

20A

Data Rate

N/A

Shield Type

N/A

Shielded

No

Voltage - Maximum

250V

Material Info

Reference - Drawing Numbers

Product Specification

PS-78213-001

Sales Drawing

SD-78353-001

Symbol/Footprint Data

SYM-78353-2011

This document was generated on 07/03/2013

PLEASE CHECK WWW.MOLEX.COM FOR LATEST PART INFORMATION