

PLEASE CHECK WWW.MOLEX.COM FOR LATEST PART INFORMATION

Part Number: [78353-1001](#)
Status: **Active**
Overview: Impact™ Backplane Connectors and Cable Assemblies
Description: Impact™ 6 Pair, Right Angle Power Header, Left Hold-Down, 2.00mm Pitch, Blade A1 & A2; B1 & B2 and C1 & C2 Length 6.90mm; Press-Fit, LCP, Glass Filled UL94-V0, Black, Tray Packaging, Lead-Free

Documents:

[3D Model](#) [RoHS Certificate of Compliance \(PDF\)](#)
[Drawing \(PDF\)](#)

Agency Certification

UL E29179

General

Product Family Backplane Connectors
 Series [78353](#)
 Application Conventional, Coplanar
 Application Tooling Documents TM-622018799
 Component Type Power Header
 Overview [Impact™ Backplane Connectors and Cable Assemblies](#)
 Product Name Impact™
 Style N/A
 UPC 884982608412

Physical

Circuits (Loaded) 6
 Circuits (maximum) 6
 Color - Resin Black
 Durability (mating cycles max) 200
 First Mate / Last Break No
 Flammability 94V-0
 Guide to Mating Part No
 Keying to Mating Part None
 Material - Metal Copper Alloy
 Material - Plating Mating Gold
 Material - Plating Termination Tin
 Material - Resin High Temperature Thermoplastic
 Net Weight 20.596g
 Number of Columns N/A
 Number of Pairs 6
 Number of Rows 3
 Orientation Right Angle
 PC Tail Length 2.50mm
 PCB Locator No
 PCB Retention None
 PCB Thickness - Recommended 1.60mm
 Packaging Type Tray
 Pitch - Mating Interface 5.20mm
 Pitch - Termination Interface 2.00mm, 3.20mm
 Plating min - Mating 0.762µm
 Plating min - Termination 2.540µm
 Polarized to PCB No
 Stackable No
 Surface Mount Compatible (SMC) No
 Temperature Range - Operating -20°C to +85°C

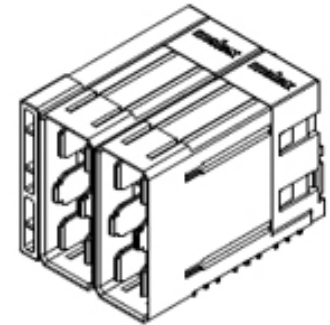


image - Reference only

Series

EU RoHS

ELV and RoHS Compliant
REACH SVHC Contains SVHC: No
Low-Halogen Status Low-Halogen

China RoHS



Need more information on product environmental compliance?

Email productcompliance@molex.com
 For a multiple part number RoHS Certificate of Compliance, [click here](#)

Please visit the [Contact Us](#) section for any non-product compliance questions.

Search Parts in this Series

[78353Series](#)

Mates With

[78218 Impact™ Vertical Power Receptacle](#)

Application Tooling | FAQ

Tooling specifications and manuals are found by selecting the products below. Crimp Height Specifications are then contained in the Application Tooling Specification document.

Global

Description	Product #
Press-In Tool for Power Module Assembly, 6-Pair Assemblies	0622018669
Impact™ Power Module Right Angle Removal Tool	0622024500

Termination Interface: Style

Through Hole - Compliant Pin

Electrical

Current - Maximum per Contact

20A

Data Rate

N/A

Shield Type

N/A

Shielded

No

Voltage - Maximum

250V

Material Info

Reference - Drawing Numbers

Sales Drawing

SD-78353-001

Symbol/Footprint Data

SYM-78353-1001

This document was generated on 07/03/2013

PLEASE CHECK WWW.MOLEX.COM FOR LATEST PART INFORMATION