

PLEASE CHECK WWW.MOLEX.COM FOR LATEST PART INFORMATION

Part Number: [78349-2044](#)
Status: **Active**
Overview: Impact™ Backplane Connectors and Cable Assemblies
Description: Impact™ 4 Pair, Right Angle Power Header, 2 Modules with Right Hold-Down, 2.00mm Pitch, Module 1: Blade A1 & A2 Length 6.90mm , Blade B1 & B2 Length 5.70mm; Module 2: Blade A1 & A2 Length 6.90mm , Blade B1 & B2 Length 5.70mm; Press-Fit, LCP, Glass Filled UL94-V0, Black, Tray Packaging, Lead-Free

Documents:

[3D Model](#) [RoHS Certificate of Compliance \(PDF\)](#)
[Drawing \(PDF\)](#)

Agency Certification

UL E29179

General

Product Family Backplane Connectors
 Series [78349](#)
 Application Daughtercard
 Application Tooling Documents TM-622018799
 Component Type Power Header
 Overview [Impact™ Backplane Connectors and Cable Assemblies](#)
 Product Name Impact™
 Style N/A
 UPC 883906169817

Physical

Circuits (Loaded) 8
 Circuits (maximum) 8
 Color - Resin Black
 Durability (mating cycles max) 200
 First Mate / Last Break Yes
 Flammability 94V-0
 Guide to Mating Part No
 Keying to Mating Part None
 Material - Metal Copper Alloy
 Material - Plating Mating Gold
 Material - Plating Termination Tin
 Material - Resin High Temperature Thermoplastic
 Net Weight 20.438/g
 Number of Columns N/A
 Number of Pairs 4
 Number of Rows 2
 Orientation Right Angle
 PC Tail Length 2.50mm
 PCB Locator No
 PCB Retention None
 PCB Thickness - Recommended 1.60mm
 Packaging Type Tray
 Pitch - Mating Interface 5.20mm
 Pitch - Termination Interface 2.00mm, 3.20mm
 Plating min - Mating 0.762µm
 Plating min - Termination 2.540µm
 Polarized to PCB No
 Stackable No
 Surface Mount Compatible (SMC) No

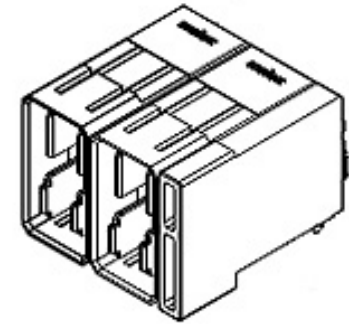


image - Reference only

Series

EU RoHS

ELV and RoHS Compliant

REACH SVHC

Not Reviewed

Low-Halogen Status

Low-Halogen

China RoHS



Need more information on product environmental compliance?

Email productcompliance@molex.com
 For a multiple part number RoHS Certificate of Compliance, [click here](#)

Please visit the [Contact Us](#) section for any non-product compliance questions.

Search Parts in this Series

[78349Series](#)

Mates With

[78214 Impact™ Vertical Receptacle](#), [78350 Right Angle Receptacle](#)

Application Tooling | FAQ

Tooling specifications and manuals are found by selecting the products below. Crimp Height Specifications are then contained in the Application Tooling Specification document.

Global

Description	Product #
Impact™ Power Module Right Angle Removal Tool	0622024500
Right Angle Power Module Installation Press-In Tool	0622018642

Temperature Range - Operating -55°C to +85°C
Termination Interface: Style Through Hole - Compliant Pin

Electrical

Current - Maximum per Contact 20A
Data Rate N/A
Shield Type N/A
Shielded No
Voltage - Maximum 250V

Material Info

Reference - Drawing Numbers

Product Specification RPS-78349-001
Sales Drawing SD-78349-001
Symbol/Footprint Data SYM-78349-2044

This document was generated on 01/28/2013

PLEASE CHECK WWW.MOLEX.COM FOR LATEST PART INFORMATION