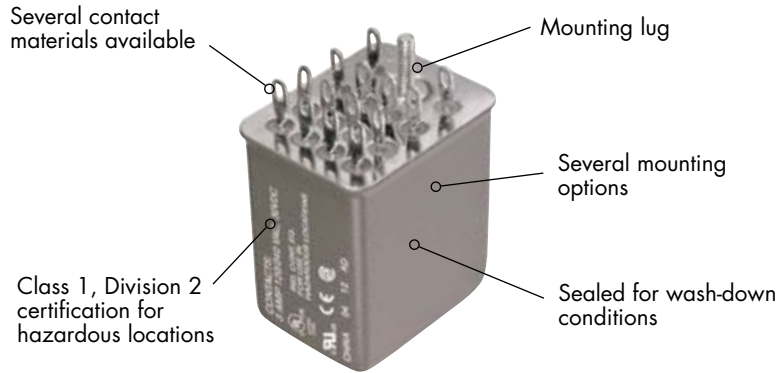


782H Hermetic Ice Cube Relays/DPDT, 4PDT, 1 - 5 Amp Rating (DC and AC)



General Specifications

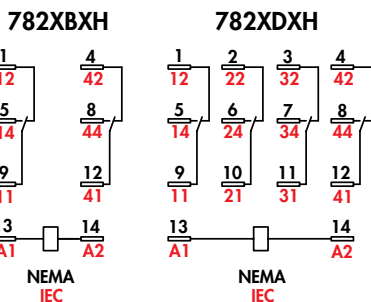
(UL 508)

**782BHXH21-
782DXH21**

**782BHXH10,32-
782DXH10,32**

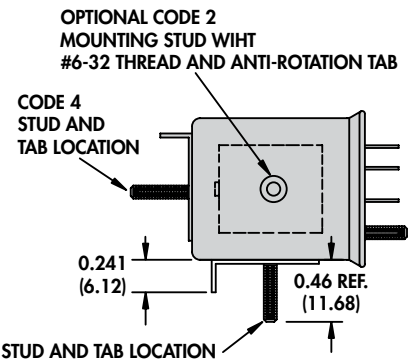
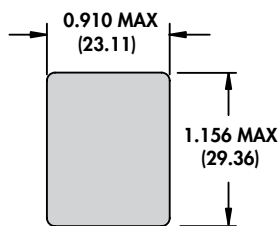
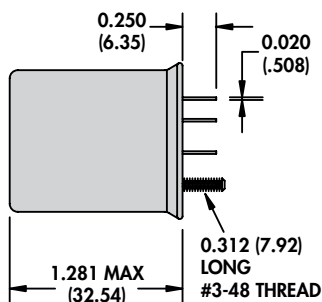
**782BHXH32-
782DXH32**

Contact Characteristics		Units	Standard	Low Level	Low Level
Number and type of Contacts			DPDT, 4PDT	DPDT, 4PDT	DPDT, 4PDT
Contact materials			Silver Alloy	Fine Silver	Bifurcated
Thermal (Carrying) Current		A	5	3	1
Maximum Switching Voltage		V	300	300	300
Switching Current @ Voltage	~	Resistive	5A @ 120V 50/60Hz	3A @ 120V 50/60Hz	1A @ 120V 50/60Hz
	~	Resistive	5A @ 240V 50/60Hz	3A @ 240V 50/60Hz	1A @ 240V 50/60Hz
	~	Resistive	5A @ 30V	3A @ 30V	1A @ 30V
Minimum Switching Requirement	HP			1/16 @ 120VAC	
	HP			1/10 @ 240VAC	
		mA	100 @ 5VDC (.5W)	10 @ 5VDC (.05W)	10 @ 5VDC (.05W)
Coil Characteristics					
Voltage Range	~	V	6...240, 50/60 Hz	6...240, 50/60 Hz	6...240, 50/60 Hz
	~	V	6...125	6...125	6...125
Operating Range	% of Nominal		85% to 110%	85% to 110%	85% to 110%
			80% to 110%	80% to 110%	80% to 110%
Average consumption	~	VA	1.2	1.2	1.2
	~	W	0.9	0.9	0.9
Drop-out voltage threshold	~		15%	15%	15%
	~		10%	10%	10%
Performance Characteristics					
Electrical Life (UL508)	Operations @ Rated Current		100,000	100,000	100,000
Mechanical Life	Unpowered		10,000,000	10,000,000	10,000,000
Operating time (response time)		ms	20	20	20
Dielectric strength	Between coil and contact	~	Vrms	1240	1240
	Between poles	~	Vrms	1240	1240
	Between contacts	~	Vrms	500	500
Environment					
Product certifications	Standard version		UL, CSA, CE	UL, CSA, CE	UL, CSA, CE
Ambient air temperature around the device	Storage	°C	-40...+85	-40...+85	-40...+85
	Operation	°C	-40...+70	-40...+70	-40...+70
Vibration resistance	Operational	g-n	3, 10 - 55 Hz	3, 10 - 55 Hz	3, 10 - 55 Hz
Shock resistance		g-n	10	10	10
Degree of protection			IP 67	IP 67	IP 67
Weight		grams	45	45	45



Relay Wiring Diagram Bottom View

782 HERMETIC MOUNTING OPTIONS



Standard Part Numbers/782XBXH

Nominal Voltage	Resistance	Part number (Standard)	Part Number (Low Level)	Part Number (Low Level)
		5 Amp	3 Amp	1 Amp
AC Operated				
24 VAC 50/60 HZ	180 Ohms	782XBXH21-24A	782XBXH10-24A	782XBXH32-24A
120 VAC 50/60 HZ	4430 Ohms	782XBXH21-120A	782XBXH10-120A	782XBXH32-120A
240 VAC 50/60 HZ	15720 Ohms	782XBXH21-240A	782XBXH10-240A	782XBXH32-240A
DC Operated				
12 VDC	160 Ohms	782XBXH21-12D	782XBXH10-12D	782XBXH32-12D
24 VDC	650 Ohms	782XBXH21-24D	782XBXH10-24D	782XBXH32-24D
110-125 VDC	13800 Ohms	782XBXH21-110/125D	782XBXH10-110/125D	782XBXH32-110/125D

Standard Part Numbers/782DXDH

BOLD-FACED PART NUMBERS ARE NORMALLY STOCKED

Nominal Voltage	Resistance	Part number (Standard)	Part Number (Low Level)	Part Number (Low Level)
		5 Amp	3 Amp	1 Amp
AC Operated				
6 VAC 50/60 HZ	9.6 Ohms	782DXDH21-6A	782DXDH10-6A	782DXDH32-6A
12 VAC 50/60 HZ	46 Ohms	782DXDH21-12A	782DXDH10-12A	782DXDH32-12A
24 VAC 50/60 HZ	180 Ohms	782DXDH21-24A	782DXDH10-24A	782DXDH32-24A
120 VAC 50/60 HZ	4430 Ohms	782DXDH21-120A	782DXDH10-120A	782DXDH32-120A
220-240 VAC 50/60 HZ	15720 Ohms	782DXDH21-220/240A	782DXDH10-220/240A	782DXDH32-220/240A
DC Operated				
6 VDC	40 Ohms	782DXDH21-6D	782DXDH10-6D	782DXDH32-6D
12 VDC	160 Ohms	782DXDH21-12D	782DXDH10-12D	782DXDH32-12D
24 VDC	650 Ohms	782DXDH21-24D	782DXDH10-24D	782DXDH32-24D
48 VDC	2600 Ohms	782DXDH21-48D	782DXDH10-48D	782DXDH32-48D
110-125 VDC	13800 Ohms	782DXDH21-110/125D	782DXDH10-110/125D	782DXDH32-110/125D

Custom Relay Part Number Builder

782	XBX	H	21	2	240A
Series	Contact Configuration	Hermetic	Contact Code	Mounting Options	Coil Voltage
782	DPDT - XBX		3 Amp Fine Silver - Code 10	Solder/Plug-In - No Code	VAC = 6 - 240A
	4PDT - XDX		5 Amp Silver Alloy - Code 21	Stud on Broad Side - Code 2	VDC = 6 - 125D
			1 Amp Bifurcated - Code 32	Stud on Narrow Side - Code 3	
			3 Amp Silver Alloy - Code 37	Stud on Top Side - Code 4	

Other mating sockets see Section 2: 70-782EL14-1, 70-782E14-1, 70-461-1, 70-378-1, 70-379-1

16-1342
Metal Hold-Down Clip
See Section 3 p.10-11

