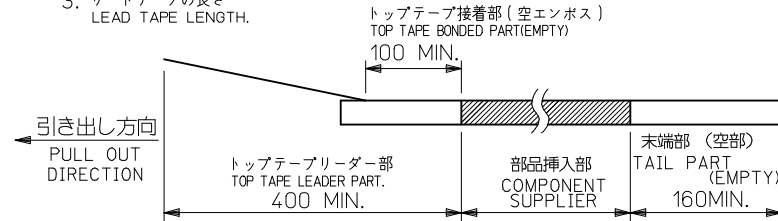
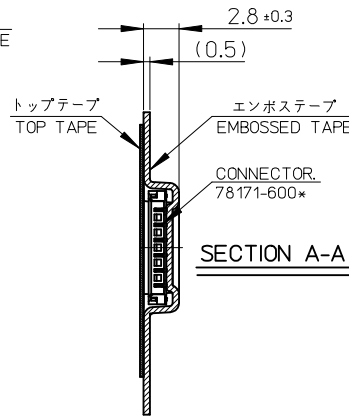
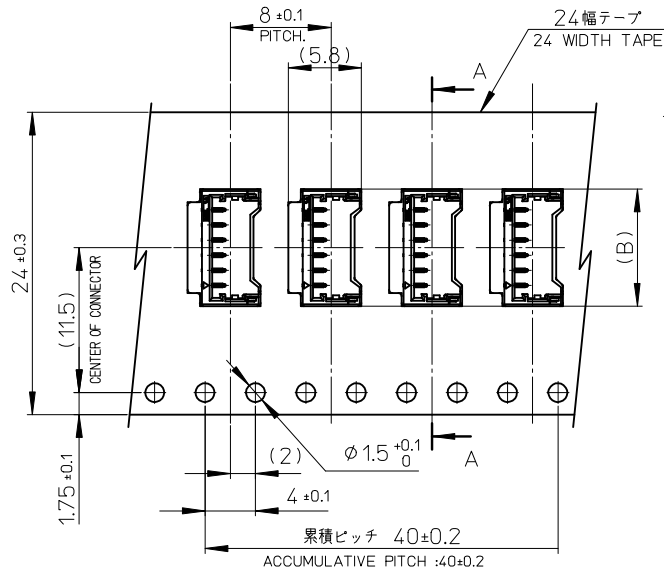


NOTES

- 製品詳細につきましては、SD-78171-002 を参照下さい。
RE DETAILED DIMENSION, SEE SD-78171-002.
- 梱包数量: 4,500 個/リール
NUMBER OF CONNECTORS: 4,500PCS/REEL.
- リードテープの長さ
LEAD TAPE LENGTH.

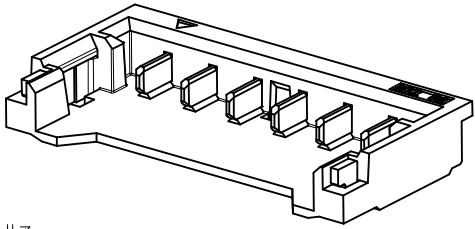
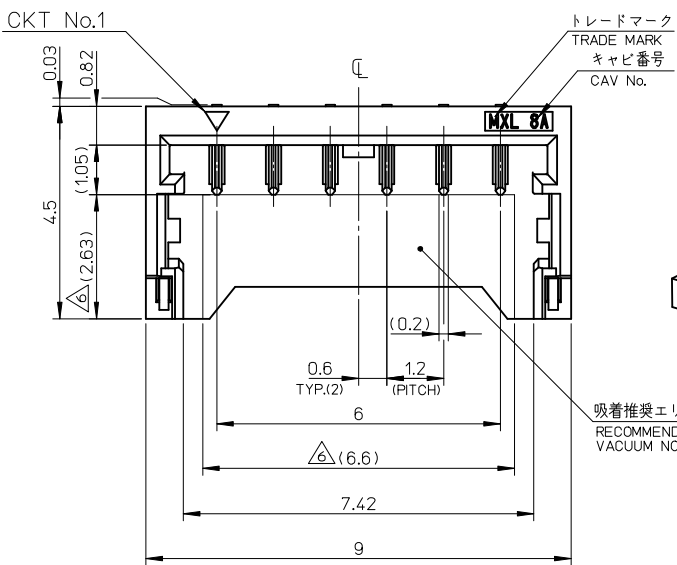


- 材料 (MATERIAL)
キャリアテープ (CARRIER TAPE): ポリスチレン (POLYSTYRENE)
トップテープ (TOP TAPE): PET, PE, PEF
リール (REEL): ポリスチレン (POLYSTYRENE) <リサイクル材を含む>
<RECYCLE MATERIAL CONTAINED.>
- 製品の取扱いについては取扱説明書 "AS-78172-001" を参照願います。
REFER TO INSTRUCTION MANUAL "AS-78172-001"
- ELV及びRoHS適合品
ELV AND RoHS COMPLIANT.

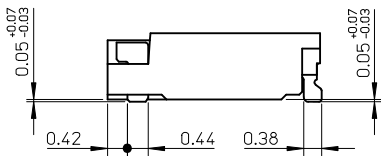
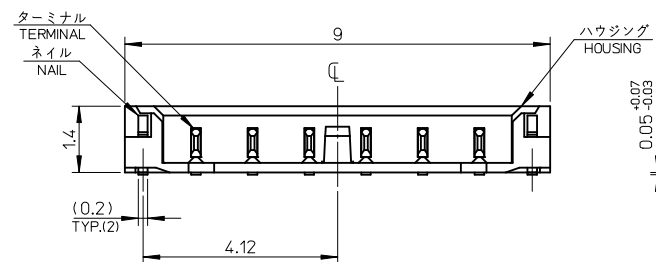


YES	9.3	78171-6006	78171-5006	6	78171-500*
ANTI-WICKING	B	CONNECTOR	MATERIAL NO.	CKT.	MODEL NO.

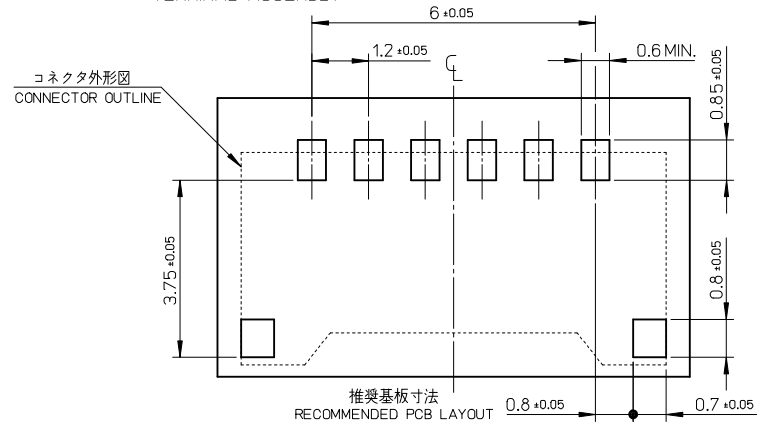
REVISED EC NO: J2009-2236 DRWN: C/LAM 2009/05/04 CHKD: L/LEE 2009/05/11 APPR: NUK/ITA 2009/05/12 A2	DESCRIPTION	GENERAL TOLERANCES (UNLESS SPECIFIED)		DIMENSION STYLE MM ONLY		SCALE	DESIGN UNITS METRIC	THIRD ANGLE PROJECTION		
		10 UNDER	± 0.2	DRAWN BY T. ODA	DATE '08/11/07	TITLE EMBOSSSED TAPE PKG FOR 78171				
		10 OVER 30 UNDER	± 0.25	CHECKED BY SA. SATO	DATE '08/11/07	APPROVED BY S. ICHIKAWA				
		30 OVER	± 0.3	DATE '08/11/07	MATERIAL NO. SEE CHART					
ANGULAR ± 1 °		DRAFT WHERE APPLICABLE MUST REMAIN WITHIN DIMENSIONS		SIZE A3		DOCUMENT NO. SD-78171-001			SHEET NO. 1 OF 1	



吸着推奨エリア
RECOMMENDED CHIPMOUNTER
VACUUM NOZZLE AREA



- 注記: 1. 材質 ハウジング: PA46, UL94V-2色: 黒
NOTES. MATERIALS HOUSING: PA46, UL94V-2, COLOUR:BLACK
2. メッキ仕様 ターミナル: 銅合金 ニッケル下地メッキ 1.0 μm MIN
FINISHES TERMINAL: GOLD 0.1 μm MIN. WITH 1.0 μm MIN NICKEL UNDERPLATE OVERALL
ネイル: 銅合金 ニッケル下地メッキ 1.0 μm MIN
FITTING NAIL: COPPER ALLOY
FITTING NAIL: 1.5 μm MIN TIN WITH 1.0 μm MIN NICKEL UNDERPLATE OVERALL
3. 嵌合相手: 78172-5006
MATING WITH: 極数 No. CIRCUIT No.
4. 梱包形態: エンボスリール梱包 (詳細はSD-78171-001 を参照願います)
PACKAGING SPECIFICATION: EMBOSSED TAPE (REFER TO SD-78171-001)
5. 製品番号は右記の内容を示す: 78171-6006
PRODUCT NUMBER INDICATES FOLLOWING 極数 No. CIRCUIT No.
6. 吸着推奨エリアを示す
SHOWS VACUUM NOZZLE AREA.
7. ソルダテールとネイルの平坦度: 0.10 mm MAX
SOLDER TAIL AND FITTING NAIL COPLANARITY 0.1mm MAX.
8. ELV 及び RoHS 適合品
ELV AND RoHS COMPLIANT.
9. 製品の取扱いについては取扱説明書"AS-78172-001"を参照願います
REFER TO INSTRUCTION MANUAL "AS-78172-001"
10. APPLY ANTI-WICKING SOLUTION ON HOUSING BEFORE TERMINAL ASSEMBLY



Ⓐ YES	78171-5006	78171-6006	78171-600*
	PACKING FORM: EMBOSSED TAPE		
ANTI-WICKING	ORDER No.	MATERIAL NO.	MODEL NO.

REVISED EC NO.: J2009-2157 DRAWN: CWLAW CHKD: SLEE APPR: NUKITA	DESCRIPTION	GENERAL TOLERANCES (UNLESS SPECIFIED)	DIMENSION STYLE MM ONLY	SCALE 10:1	DESIGN UNITS METRIC	THIRD ANGLE PROJECTION
	REV	10 UNDER ±0.2	DRAWN BY T. ODA	DATE 08/06/20	TITLE 12W/B CONN. HDR ASS'Y 6CKT	
	A1	10 OVER 30 UNDER ±0.25	CHECKED BY SA. SATO	DATE 08/06/20	APPROVED BY S. ICHIKAWA	
		30 OVER ±0.3	APPROVED BY S. ICHIKAWA	DATE 08/06/20	MOLEX INCORPORATED	
		ANGULAR ±1 °	MATERIAL NO.	DOCUMENT NO.	SHEET NO. 1 OF 1	
	DRAFT WHERE APPLICABLE MUST REMAIN WITHIN DIMENSIONS	SEE CHART	SD-78171-002			