

PLEASE CHECK WWW.MOLEX.COM FOR LATEST PART INFORMATION

Part Number: [0780480843](#)
Status: **Active**
Overview: Pico-SPOX Wire-to-Board Connector System
Description: 1.50mm Pitch Pico-SPOX Wire-to-Board Header, Liquid Crystal Polymer, Right-Angle, 8 Circuits, Embossed Tape on Reel, Beige

Documents:

3D Model	Product Specification PS-78047-001-001 (PDF)
Drawing (PDF)	Packaging Specification SPK-78048-001-001 (PDF)
3D Model (PDF)	RoHS Certificate of Compliance (PDF)

Agency Certification

CSA	LR19980
UL	E29179

General

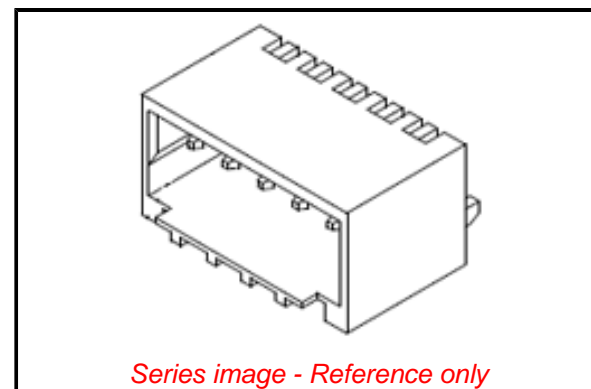
Product Family	PCB Headers
Series	78048
Application	Signal, Wire-to-Board
Overview	Pico-SPOX Wire-to-Board Connector System
Product Name	Pico-SPOX
UPC	800756707211

Physical

Breakaway	No
Circuits (Loaded)	8
Circuits (maximum)	8
Color - Resin	Beige
Durability (mating cycles max)	10
First Mate / Last Break	No
Flammability	94V-0
Glow-Wire Capable	No
Guide to Mating Part	No
Keying to Mating Part	Yes
Lock to Mating Part	Yes
Material - Metal	Brass
Material - Plating Mating	Tin
Material - Plating Termination	Tin
Material - Resin	Liquid Crystal Polymer
Net Weight	0.424/g
Number of Rows	1
Orientation	Right Angle
PCB Locator	No
PCB Retention	None
Packaging Type	Embossed Tape on Reel
Pitch - Mating Interface	1.50mm
Plating min - Mating	2.540µm
Plating min - Termination	2.540µm
Polarized to Mating Part	Yes
Polarized to PCB	No
Shrouded	Fully
Stackable	No
Temperature Range - Operating	-55° to +105°C
Termination Interface: Style	Surface Mount

Electrical

Current - Maximum per Contact	2.5A
-------------------------------	------



EU ELV

Not Relevant

EU RoHS

Compliant

REACH SVHC

Not Contained Per -
D(2020)4578-DC (25
June 2020)

Halogen-Free

Status

Low-Halogen

For more information, please visit [Contact US](#)

China ROHS

ELV

RoHS Phthalates

China RoHS

Green Image

Not Relevant

Not Contained

Search Parts in this Series

[78048](#) Series

Mates With

[87439](#) Pico-SPOX Wire-to-Board Housing

Use With

[87421](#) Pico-SPOX Crimp Terminal

Voltage - Maximum

250V AC

Material Info

Reference - Drawing Numbers

Packaging Specification

SPK-78048-001-001

Product Specification

PS-78047-001-001

Sales Drawing

SD-78048-001

This document was generated on 10/07/2020

PLEASE CHECK WWW.MOLEX.COM FOR LATEST PART INFORMATION