

**PLEASE CHECK WWW.MOLEX.COM FOR LATEST PART INFORMATION**

**Part Number:** **0780471573**  
**Status:** **Active**  
**Overview:** Pico-SPOX Wire-to-Board Connector System  
**Description:** Pico-SPOX Wire-to-Board Header, 1.50mm Pitch, Surface Mount, Vertical, Tin (Sn) Plating, with Cap, Liquid Crystal Polymer, 15 Circuits, Beige, Tape and Reel

**Documents:**

<a href="#">3D Model</a>	<a href="#">Product Specification PS-78047-001-001 (PDF)</a>
<a href="#">3D Model (PDF)</a>	<a href="#">Packaging Specification 780479200-200 (PDF)</a>
<a href="#">Drawing (PDF)</a>	<a href="#">RoHS Certificate of Compliance (PDF)</a>

**General**

Product Family	PCB Headers
Series	78047
Application	Signal, Wire-to-Board
Overview	<u>Pico-SPOX Wire-to-Board Connector System</u>
Product Name	Pico-SPOX
UPC	884982254237

**Physical**

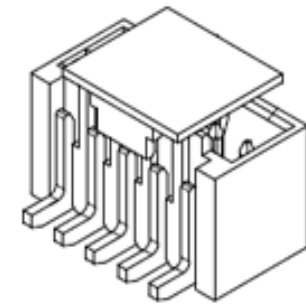
Breakaway	No
Circuits (Loaded)	15
Circuits (maximum)	15
Color - Resin	Beige
Durability (mating cycles max)	10
First Mate / Last Break	No
Glow-Wire Capable	No
Guide to Mating Part	No
Keying to Mating Part	None
Lock to Mating Part	Yes
Material - Metal	Brass
Material - Plating Mating	Tin
Material - Plating Termination	Tin
Material - Resin	Liquid Crystal Polymer
Net Weight	725.350/mg
Number of Rows	1
Orientation	Vertical
PCB Locator	No
PCB Retention	None
Packaging Type	Embossed Tape on Reel
Pitch - Mating Interface	1.50mm
Plating min - Mating	2.540µm
Plating min - Termination	2.540µm
Polarized to Mating Part	Yes
Polarized to PCB	No
Robotic Placement	Pick and Place Cap
Shrouded	Fully
Stackable	No
Temperature Range - Operating	-55° to +105°C
Termination Interface: Style	Surface Mount

**Electrical**

Current - Maximum per Contact	2.5A
Voltage - Maximum	250V AC

**Material Info**

**Reference - Drawing Numbers**



*Series image - Reference only*

**EU ELV**

**Not Relevant**

**EU RoHS**

**Compliant**

**REACH SVHC**

Contained Per -  
D(2020)4578-DC (25  
June 2020)  
henicosaflluoroundecanoic  
acid  
disodium 4-  
amino-3-[[4'-[(2,4-  
diaminophenyl)azo]  
chromium trioxide  
1,3-propanesultone  
1-vinylimidazole  
4,4'-methylenedi-o-  
toluidine  
dibutyltin dichloride  
methoxyacetic acid  
diisopentylphthalate  
disodium 3,3'-[[1,1'-  
biphenyl]-4,4'-  
diylbis(azo)  
octamethylcyclotetrasiloxane  
decamethylcyclopentasiloxane  
dodecamethylcyclohexasiloxane  
heptacosaflluorotetradecanoic  
acid  
tricosaflluorododecanoic  
acid  
di-n-pentyl phthalate  
(DPP)  
6-methoxy-m-toluidine  
furan  
1-bromopropane  
nitrobenzene  
4-o-tolylazo-o-  
toluidine  
ethylene thiourea  
4-methyl-m-  
phenylenediamine  
o-toluidine

**China RoHS**

Packaging Specification  
Product Specification  
Sales Drawing

780479200-200  
PS-78047-001-001  
SD-78047-001

butyl 4-  
hydroxybenzoate  
dinoseb (ISO)  
dihexyl phthalate  
(DnHP)  
N-methylacetamide  
dimethyl sulphate  
diethyl sulphate  
4-aminoazobenzene  
Fatty acids, C16-18,  
lead salts  
[phthalato(2-)]dioxotrilead  
Silicic acid (H<sub>2</sub>Si<sub>2</sub>O<sub>5</sub>),  
barium salt (1:1),  
lead-  
ammoniumpentadecafluorooctanoate  
Perfluorohexane-1-  
sulphonic acid and its  
salts  
5-sec-butyl-2-(2,4-  
dimethylcyclohex-3-  
en-1-yl)-5  
1,2-  
benzenedicarboxylic  
acid, di-C6-10-alkyl  
est  
Cadmium sulphate  
Sodium perborate;  
perboric acid, sodium  
salt  
hexahydro-2-  
benzofuran-1,3-dione  
4-(1,1,3,3-  
tetramethylbutyl)phenol,  
ethoxylated  
Perfluorononan-1-  
oic acid  
(2,2,3,3,4,4,5,5,6,6,7  
Reaction  
products of 1,3,4-  
thiadiazolidine-2,5-d  
Dodecachloropentacyclo[12.2.1.16,9.02,13.05,10]o  
Chrysene  
Pyrene  
Tris(4-nonylphenyl,  
branched and linear)  
phosphi  
2,3,3,3-tetrafluoro-2-  
(heptafluoropropoxy)propio  
4-(1,1,3,3-  
tetramethylbutyl)phenol,  
ethoxylated  
Trixylyl phosphate  
Zirconia  
Aluminosilicate  
Refractory Ceramic  
Fibr  
Aluminosilicate  
Refractory Ceramic  
Fibres  
Boric acid  
Disodium tetraborate  
Hydrazine

1,3-BENZENEDIOL,  
TRINITRO-, LEAD  
SALT  
n-pentyl-  
isopentylphthalate  
3-ethyl-2-methyl-2-  
(3-methylbutyl)-1,3-  
oxazolidi  
1,2-  
benzenedicarboxylic  
acid, dipentylester,  
bra  
pentacosafuorotridecanoic  
acid  
1,2-  
Benzenedicarboxylic  
acid, dihexyl ester,  
bra  
Terphenyl,  
hydrogenated  
2-(2H-benzotriazol-2-  
yl)-4-(tert-butyl)-6-  
(sec-b  
2-(2H-benzotriazol-2-  
yl)-4,6-  
ditertpentylphenol  
dibutylbis(pentane-2,4-  
dionato-O,O')tin  
2-ethylhexyl 10-  
ethyl-4,4-dioctyl-7-  
oxo-8-oxa-3,  
disodium octaborate  
sodium  
peroxometaborate  
Sulfurous acid, lead  
salt, dibasic  
trilead diarsenate  
2-methoxyaniline  
arsenic acid  
N,N-  
dimethylacetamide  
lead dipicrate  
potassium  
hydroxyoctaoxidizincatedichromate(1-)  
bis(2-methoxyethyl)  
ether  
calcium arsenate  
1,2-  
benzenedicarboxylic  
acid; di-C6-8-  
branched a  
N-methyl-2-  
pyrrolidone  
1,2-  
benzenedicarboxylic  
acid; di-C7-11-  
branched  
2-ethoxyethyl acetate  
cobalt sulphate  
cobalt di(acetate)  
cobalt carbonate  
tetraboron disodium  
heptaoxide, hydrate  
sodium chromate  
potassium dichromate

potassium chromate  
ammonium  
dichromate  
tris(2-chloroethyl)  
phosphate  
Lead sulfochromate  
yellow  
Lead chromate  
molybdate sulfate red  
lead chromate  
Anthracene oil,  
anthracene-low;  
Anthracene Oil F  
Anthracene oil,  
anthracene paste,  
distn. lights;  
Anthracene oil,  
anthracene paste,  
anthracene fra  
Anthracene oil,  
anthracene paste;  
Anthracene Oil  
Butylbenzylphthalate  
(BBP)  
lead hydrogen  
arsenate  
bis(2-ethylhexyl)  
phthalate (DEHP)  
dibutyl phthalate  
(DBP)  
4,4'-  
diaminodiphenylmethane  
triethyl arsenate  
1,2-dichloroethane  
Acetic acid, lead salt,  
basic  
Lead titanium  
zirconium oxide  
dioxobis(stearato)trilead  
tetralead trioxide  
sulphate  
trilead dioxide  
phosphonate  
pentalead tetraoxide  
sulphate  
lead oxide sulfate  
Silicic acid, lead salt  
cadmium chloride  
lead dinitrate  
pyrochlore, antimony  
lead yellow  
cadmium fluoride  
cadmium  
lead  
 $\alpha,\alpha$ -Bis[4-  
(dimethylamino)phenyl]-4  
(phenylamino)  
[4-[[4-anilino-1-  
naphthyl][4-  
(dimethylamino)phen  
1,3,5-  
tris(oxiranylmethyl)-1,3,5-  
triazine-2,4,6(  
Lead oxide

trilead bis(carbonate)  
dihydroxide  
orange lead  
cadmium sulphide  
cadmium oxide (non-  
pyrophoric)  
diboron trioxide  
bis(pentabromophenyl)  
ether  
4,4'-  
bis(dimethylamino)-4"-  
(methylamino)trityl  
[4-[4,4'-  
bis(dimethylamino)  
benzhydrylidene]cycl  
1,2-dimethoxyethane  
4,4'-  
bis(dimethylamino)benzophenone  
dichromium  
tris(chromate)  
phenolphthalein  
lead diazide  
bis(2-methoxyethyl)  
phthalate  
Formaldehyde,  
polymer with  
benzenamine  
pentazinc chromate  
octahydroxide

**Halogen-Free  
Status**

**Not Low-Halogen**

For more information, please visit [Contact US](#)

China ROHS	Green Image
ELV	Not Relevant
RoHS Phthalates	Not Contained

**Search Parts in this Series**

[78047 Series](#)

**Mates With**

Pico-SPOX Wire-to-Board Housing [87439](#)

This document was generated on 10/13/2020

**PLEASE CHECK [WWW.MOLEX.COM](http://WWW.MOLEX.COM) FOR LATEST PART INFORMATION**