

PLEASE CHECK WWW.MOLEX.COM FOR LATEST PART INFORMATION

Part Number: **0780471273**
Status: **Active**
Overview: Pico-SPOX Wire-to-Board Connector System
Description: Pico-SPOX Wire-to-Board Header, 1.50mm Pitch, Surface Mount, Vertical, Tin (Sn) Plating, with Cap, Liquid Crystal Polymer, 12 Circuits, Beige, Tape and Reel

Documents:

3D Model	Product Specification PS-78047-001-001 (PDF)
3D Model (PDF)	Packaging Specification 780479200-200 (PDF)
Drawing (PDF)	RoHS Certificate of Compliance (PDF)

General

Product Family	PCB Headers
Series	78047
Application	Signal, Wire-to-Board
Overview	<u>Pico-SPOX Wire-to-Board Connector System</u>
Product Name	Pico-SPOX
UPC	883906180539

Physical

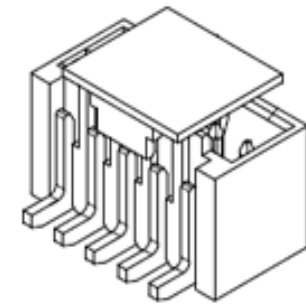
Breakaway	No
Circuits (Loaded)	12
Circuits (maximum)	12
Color - Resin	Beige
Durability (mating cycles max)	10
First Mate / Last Break	No
Glow-Wire Capable	No
Guide to Mating Part	No
Keying to Mating Part	None
Lock to Mating Part	Yes
Material - Metal	Brass
Material - Plating Mating	Tin
Material - Plating Termination	Tin
Material - Resin	Liquid Crystal Polymer
Net Weight	616.880/mg
Number of Rows	1
Orientation	Vertical
PCB Locator	No
PCB Retention	None
Packaging Type	Embossed Tape on Reel
Pitch - Mating Interface	1.50mm
Plating min - Mating	2.540µm
Plating min - Termination	2.540µm
Polarized to Mating Part	Yes
Polarized to PCB	No
Robotic Placement	Pick and Place Cap
Shrouded	Fully
Stackable	No
Temperature Range - Operating	-55° to +105°C
Termination Interface: Style	Surface Mount

Electrical

Current - Maximum per Contact	2.5A
Voltage - Maximum	250V AC

Material Info

Reference - Drawing Numbers



Series image - Reference only

EU ELV

Not Relevant

EU RoHS

Compliant

REACH SVHC

Contained Per -
D(2020)4578-DC (25
June 2020)
henicosaflluoroundecanoic
acid
disodium 4-
amino-3-[[4'-[(2,4-
diaminophenyl)azo]
chromium trioxide
1,3-propanesultone
1-vinylimidazole
4,4'-methylenedi-o-
toluidine
dibutyltin dichloride
methoxyacetic acid
diisopentylphthalate
disodium 3,3'-[[1,1'-
biphenyl]-4,4'-
diylbis(azo)
octamethylcyclotetrasiloxane
decamethylcyclopentasiloxane
dodecamethylcyclohexasiloxane
heptacosaflluorotetradecanoic
acid
tricosaflluorododecanoic
acid
di-n-pentyl phthalate
(DPP)
6-methoxy-m-toluidine
furan
1-bromopropane
nitrobenzene
4-o-tolylazo-o-
toluidine
ethylene thiourea
4-methyl-m-
phenylenediamine
o-toluidine

China RoHS

Packaging Specification
Product Specification
Sales Drawing

780479200-200
PS-78047-001-001
SD-78047-001

butyl 4-
hydroxybenzoate
dinoseb (ISO)
dihexyl phthalate
(DnHP)
N-methylacetamide
dimethyl sulphate
diethyl sulphate
4-aminoazobenzene
Fatty acids, C16-18,
lead salts
[phthalato(2-)]dioxotrilead
Silicic acid (H₂Si₂O₅),
barium salt (1:1),
lead-
ammoniumpentadecafluorooctanoate
Perfluorohexane-1-
sulphonic acid and its
salts
5-sec-butyl-2-(2,4-
dimethylcyclohex-3-
en-1-yl)-5
1,2-
benzenedicarboxylic
acid, di-C₆-10-alkyl
est
Cadmium sulphate
Sodium perborate;
perboric acid, sodium
salt
hexahydro-2-
benzofuran-1,3-dione
4-(1,1,3,3-
tetramethylbutyl)phenol,
ethoxylated
Perfluorononan-1-
oic acid
(2,2,3,3,4,4,5,5,6,6,7
Reaction
products of 1,3,4-
thiadiazolidine-2,5-d
Dodecachloropentacyclo[12.2.1.16,9.02,13.05,10]o
Chrysene
Pyrene
Tris(4-nonylphenyl,
branched and linear)
phosphi
2,3,3,3-tetrafluoro-2-
(heptafluoropropoxy)propio
4-(1,1,3,3-
tetramethylbutyl)phenol,
ethoxylated
Trixylyl phosphate
Zirconia
Aluminosilicate
Refractory Ceramic
Fibr
Aluminosilicate
Refractory Ceramic
Fibres
Boric acid
Disodium tetraborate
Hydrazine

1,3-BENZENEDIOL,
TRINITRO-, LEAD
SALT
n-pentyl-
isopentylphthalate
3-ethyl-2-methyl-2-
(3-methylbutyl)-1,3-
oxazolidi
1,2-
benzenedicarboxylic
acid, dipentylester,
bra
pentacosafuorotridecanoic
acid
1,2-
Benzenedicarboxylic
acid, dihexyl ester,
bra
Terphenyl,
hydrogenated
2-(2H-benzotriazol-2-
yl)-4-(tert-butyl)-6-
(sec-b
2-(2H-benzotriazol-2-
yl)-4,6-
ditertpentylphenol
dibutylbis(pentane-2,4-
dionato-O,O')tin
2-ethylhexyl 10-
ethyl-4,4-dioctyl-7-
oxo-8-oxa-3,
disodium octaborate
sodium
peroxometaborate
Sulfurous acid, lead
salt, dibasic
trilead diarsenate
2-methoxyaniline
arsenic acid
N,N-
dimethylacetamide
lead dipicrate
potassium
hydroxyoctaoxidizincatedichromate(1-)
bis(2-methoxyethyl)
ether
calcium arsenate
1,2-
benzenedicarboxylic
acid; di-C6-8-
branched a
N-methyl-2-
pyrrolidone
1,2-
benzenedicarboxylic
acid; di-C7-11-
branched
2-ethoxyethyl acetate
cobalt sulphate
cobalt di(acetate)
cobalt carbonate
tetraboron disodium
heptaoxide, hydrate
sodium chromate
potassium dichromate

potassium chromate
ammonium
dichromate
tris(2-chloroethyl)
phosphate
Lead sulfochromate
yellow
Lead chromate
molybdate sulfate red
lead chromate
Anthracene oil,
anthracene-low;
Anthracene Oil F
Anthracene oil,
anthracene paste,
distn. lights;
Anthracene oil,
anthracene paste,
anthracene fra
Anthracene oil,
anthracene paste;
Anthracene Oil
Butylbenzylphthalate
(BBP)
lead hydrogen
arsenate
bis(2-ethylhexyl)
phthalate (DEHP)
dibutyl phthalate
(DBP)
4,4'-
diaminodiphenylmethane
triethyl arsenate
1,2-dichloroethane
Acetic acid, lead salt,
basic
Lead titanium
zirconium oxide
dioxobis(stearato)trilead
tetralead trioxide
sulphate
trilead dioxide
phosphonate
pentalead tetraoxide
sulphate
lead oxide sulfate
Silicic acid, lead salt
cadmium chloride
lead dinitrate
pyrochlore, antimony
lead yellow
cadmium fluoride
cadmium
lead
 α,α -Bis[4-
(dimethylamino)phenyl]-4
(phenylamino)
[4-[[4-anilino-1-
naphthyl]]4-
(dimethylamino)phen
1,3,5-
tris(oxiranylmethyl)-1,3,5-
triazine-2,4,6(
Lead oxide

trilead bis(carbonate)
dihydroxide
orange lead
cadmium sulphide
cadmium oxide (non-
pyrophoric)
diboron trioxide
bis(pentabromophenyl)
ether
4,4'-
bis(dimethylamino)-4"-
(methylamino)trityl
[4-[4,4'-
bis(dimethylamino)
benzhydrylidene]cycl
1,2-dimethoxyethane
4,4'-
bis(dimethylamino)benzophenone
dichromium
tris(chromate)
phenolphthalein
lead diazide
bis(2-methoxyethyl)
phthalate
Formaldehyde,
polymer with
benzenamine
pentazinc chromate
octahydroxide

**Halogen-Free
Status**

Not Low-Halogen

For more information, please visit [Contact US](#)

China ROHS	Green Image
ELV	Not Relevant
RoHS Phthalates	Not Contained

Search Parts in this Series

[78047 Series](#)

Mates With

Pico-SPOX Wire-to-Board Housing [87439](#)

This document was generated on 10/14/2020

PLEASE CHECK WWW.MOLEX.COM FOR LATEST PART INFORMATION