

**PLEASE CHECK WWW.MOLEX.COM FOR LATEST PART INFORMATION**

**Part Number:** **0780470273**  
**Status:** **Active**  
**Overview:** Pico-SPOX Wire-to-Board Connector System  
**Description:** Pico-SPOX Wire-to-Board Header, 1.50mm Pitch, Surface Mount, Vertical, Tin (Sn) Plating, with Cap, Liquid Crystal Polymer, 2 Circuits, Beige, Tape and Reel

**Documents:**

<a href="#">3D Model</a>	<a href="#">Product Specification PS-78047-001-001 (PDF)</a>
<a href="#">Drawing (PDF)</a>	<a href="#">Packaging Specification 780479200-200 (PDF)</a>
<a href="#">3D Model (PDF)</a>	<a href="#">RoHS Certificate of Compliance (PDF)</a>

**General**

Product Family	PCB Headers
Series	78047
Application	Signal, Wire-to-Board
Overview	<u>Pico-SPOX Wire-to-Board Connector System</u>
Product Name	Pico-SPOX
UPC	884982253148

**Physical**

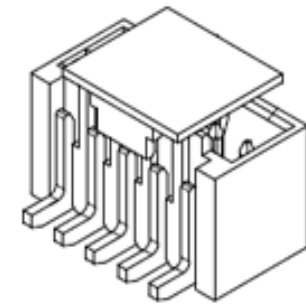
Breakaway	No
Circuits (Loaded)	2
Circuits (maximum)	2
Color - Resin	Beige
Durability (mating cycles max)	10
First Mate / Last Break	No
Glow-Wire Capable	No
Guide to Mating Part	No
Keying to Mating Part	None
Lock to Mating Part	Yes
Material - Metal	Brass
Material - Plating Mating	Tin
Material - Plating Termination	Tin
Material - Resin	Liquid Crystal Polymer
Net Weight	157.980/mg
Number of Rows	1
Orientation	Vertical
PCB Locator	No
PCB Retention	None
Packaging Type	Embossed Tape on Reel
Pitch - Mating Interface	1.50mm
Plating min - Mating	2.540µm
Plating min - Termination	2.540µm
Polarized to Mating Part	Yes
Polarized to PCB	No
Robotic Placement	Pick and Place Cap
Shrouded	Fully
Stackable	No
Temperature Range - Operating	-55° to +105°C
Termination Interface: Style	Surface Mount

**Electrical**

Current - Maximum per Contact	2.5A
Voltage - Maximum	250V AC

**Material Info**

**Reference - Drawing Numbers**



*Series image - Reference only*

**EU ELV**

**Not Relevant**

**EU RoHS**

**Compliant**

**REACH SVHC**

Not Contained Per -  
D(2020)4578-DC (25  
June 2020)

**Halogen-Free**

**Status**

**Not Low-Halogen**

For more information, please visit [Contact US](#)

China ROHS

ELV

RoHS Phthalates

**China RoHS**

Green Image

Not Relevant

Not Contained

**Search Parts in this Series**

[78047 Series](#)

**Mates With**

Pico-SPOX Wire-to-Board Housing [87439](#)

Packaging Specification  
Product Specification  
Sales Drawing

780479200-200  
PS-78047-001-001  
SD-78047-001

This document was generated on 10/07/2020

**PLEASE CHECK [WWW.MOLEX.COM](http://WWW.MOLEX.COM) FOR LATEST PART INFORMATION**