

PLEASE CHECK WWW.MOLEX.COM FOR LATEST PART INFORMATION

Part Number: [78001-1244](#)
Status: **Active**
Description: 0.60mm Pitch miniDIMM Socket, Surface Mount, Reverse Right Angle, with Off-White Latches, 1.8V Voltage Key, 244 Circuits, Lead-Free

Documents:

[3D Model](#) [Application Specification AS-87782-001 \(PDF\)](#)
[Drawing \(PDF\)](#) [RoHS Certificate of Compliance \(PDF\)](#)
[Product Specification PS-78001-001 \(PDF\)](#)

Agency Certification

CSA LR19980
 UL E29179

General

Product Family Memory Module Sockets
 Series [78001](#)
 Comments Latches in Off-White Color
 Component Type Socket
 JEDEC Outline MO-244
 Product Name MiniDIMM
 UPC 822350020183

Physical

Circuits (Loaded) 244
 Color - Resin Black, Natural (White)
 Durability (mating cycles max) 25
 Entry Angle 90° Angle (Side Entry)
 Flammability 94V-0
 Keying to Mating Part Yes
 Material - Metal Brass, Phosphor Bronze
 Material - Plating Mating Gold
 Material - Plating Termination Tin
 Material - Resin High Temperature Thermoplastic
 Net Weight 10.165/g
 PCB Locator Yes
 PCB Retention Yes
 Packaging Type Tray
 Pitch - Mating Interface 0.60mm
 Plating min - Mating 0.762µm
 Plating min - Termination 3.810µm
 Temperature Range - Operating -10°C to +85°C
 Termination Interface: Style Surface Mount

Electrical

Current - Maximum per Contact 1A
 Voltage - Maximum 30V
 Voltage Key 1.8V

Solder Process Data

Duration at Max. Process Temperature (seconds) 5
 Lead-free Process Capability Reflow Capable (SMT only)
 Max. Cycles at Max. Process Temperature 2
 Process Temperature max. C 260

Material Info

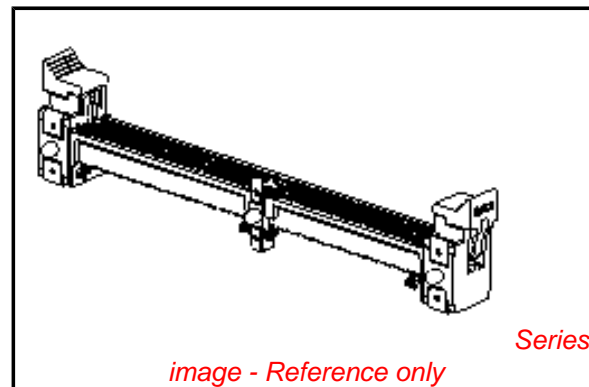


image - Reference only

EU RoHS

**ELV and RoHS
 Compliant**
**REACH SVHC
 Contains SVHC: No**
**Low-Halogen Status
 Not Low-Halogen**

China RoHS



**Need more information on product
 environmental compliance?**

Email productcompliance@molex.com
 For a multiple part number RoHS Certificate of Compliance, [click here](#)

Please visit the [Contact Us](#) section for any non-product compliance questions.

Search Parts in this Series

78001Series

Mates With

JEDEC MO-244 Modules

Reference - Drawing Numbers

Application Specification	AS-87782-001
Electrical Model Document	EE-78001-001
Product Specification	PS-78001-001
S-Parameter Model	SP-78001-001
Sales Drawing	SD-78001-003

This document was generated on 02/04/2013

PLEASE CHECK WWW.MOLEX.COM FOR LATEST PART INFORMATION