

770707-6 x OBSOLETE



SL-156

TE Internal #: 770707-6

TE Internal Description: 06P SL156 HSG W/LCK RAMP

Receptacle Housing: Wire-to-Board, with Mating Alignment, SL156

[View on TE.com >](#)



All Receptacle Housing: Wire-to-Board, with Mating Alignment, SL156 (107)

Product Compliance

[For compliance documentation, visit the product page on TE.com>](#)

EU RoHS Directive 2011/65/EU	Compliant
EU ELV Directive 2000/53/EC	Compliant
China RoHS 2 Directive MIIT Order No 32, 2016	No Restricted Materials Above Threshold
EU REACH Regulation (EC) No. 1907/2006	Current ECHA Candidate List: JUNE 2023 (235) Candidate List Declared Against: JAN 2020 (205) Does not contain REACH SVHC
Halogen Content	Low Halogen - Br, Cl, F, I < 900 ppm per homogenous material. Also BFR/CFR/PVC Free
Solder Process Capability	Not applicable for solder process capability

Product Compliance Disclaimer

This information is provided based on reasonable inquiry of our suppliers and represents our current actual knowledge based on the information they provided. This information is subject to change. The part numbers that TE has identified as EU RoHS compliant have a maximum concentration of 0.1% by weight in homogenous materials for lead, hexavalent chromium, mercury, PBB, PBDE, DBP, BBP, DEHP, DIBP, and 0.01% for cadmium, or qualify for an exemption to these limits as defined in the Annexes of Directive 2011/65/EU (RoHS2). Finished electrical and electronic equipment products will be CE marked as required by Directive 2011/65/EU. Components may not be CE marked. Additionally, the part numbers that TE has identified as EU ELV compliant have a maximum concentration of 0.1% by weight in homogenous materials for lead, hexavalent chromium, and mercury, and 0.01% for cadmium, or qualify for an exemption to these limits as defined in the Annexes of Directive 2000/53/EC (ELV). Regarding the REACH Regulation, the information TE provides on SVHC in articles for this part number is based on the latest European Chemicals Agency (ECHA) 'Guidance on requirements for substances in articles' posted at this URL: <https://echa.europa.eu/guidance-documents/guidance-on-reach>

Also in the Series | [SL-156](#)



Connector Contacts(23)



Connector Hardware(4)



Insertion & Extraction Tools(1)

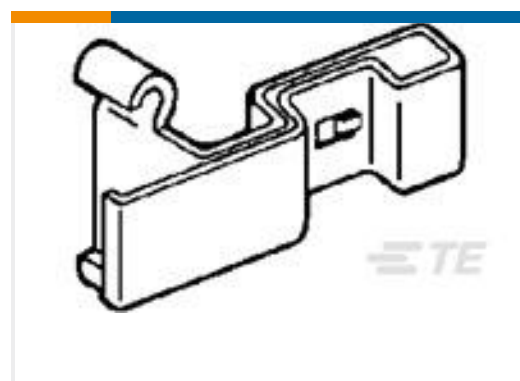


Rectangular Connector Housings(10)



Wire-to-Board Connector Assemblies & Housings(140)

Customers Also Bought

TE Part #2315539-1
COVER, LIGHT CONTROLLER, 81MM
DIA., 62MMTE Part #745779-5
HD SQZ TO RELEASE KITTE Part #4-1393766-1
R10-E1Y2-V2.5K=R10TE Part #171505-1
PIDG RING UL.CSA(22-18)TE Part #8-2176307-9
RP 1E 0.1W 102K 0.1% 25PPM 5K RLTE Part #1461078-5
OJ-SS-112HMF,000TE Part #499786-9
040 UNIV HDR RA 4S 15DP STD L1TE Part #45219-2
DAHT AMP CLOSED END SPLICES 22-
10 ASSY

Documents

Product Drawings

06P SL156 HSG W/LCK RAMP

English

CAD Files

3D PDF

3D

Customer View Model

ENG_CVM_CVM_770707-6_P_c-770707-6-p.2d_dxf.zip



English

Customer View Model

[ENG_CVM_CVM_770707-6_P_c-770707-6-p.3d_igs.zip](#)

English

Customer View Model

[ENG_CVM_CVM_770707-6_P_c-770707-6-p.3d_stp.zip](#)

English

By downloading the CAD file I accept and agree to the [Terms and Conditions](#) of use.

Product Specifications

[Application Specification](#)

English

[Application Specification](#)

Japanese

[Application Specification](#)

English

[MTA 156 Ribbon Cable Connector Assemblies \(English And Spanish\)](#)

English

[MTA 156 Ribbon Cable Connector Assemblies \(English And Spanish\)](#)

Japanese

Agency Approvals

[UL Report](#)

English