

770520-6 ✓ ACTIVE

AMP | AMPSEAL

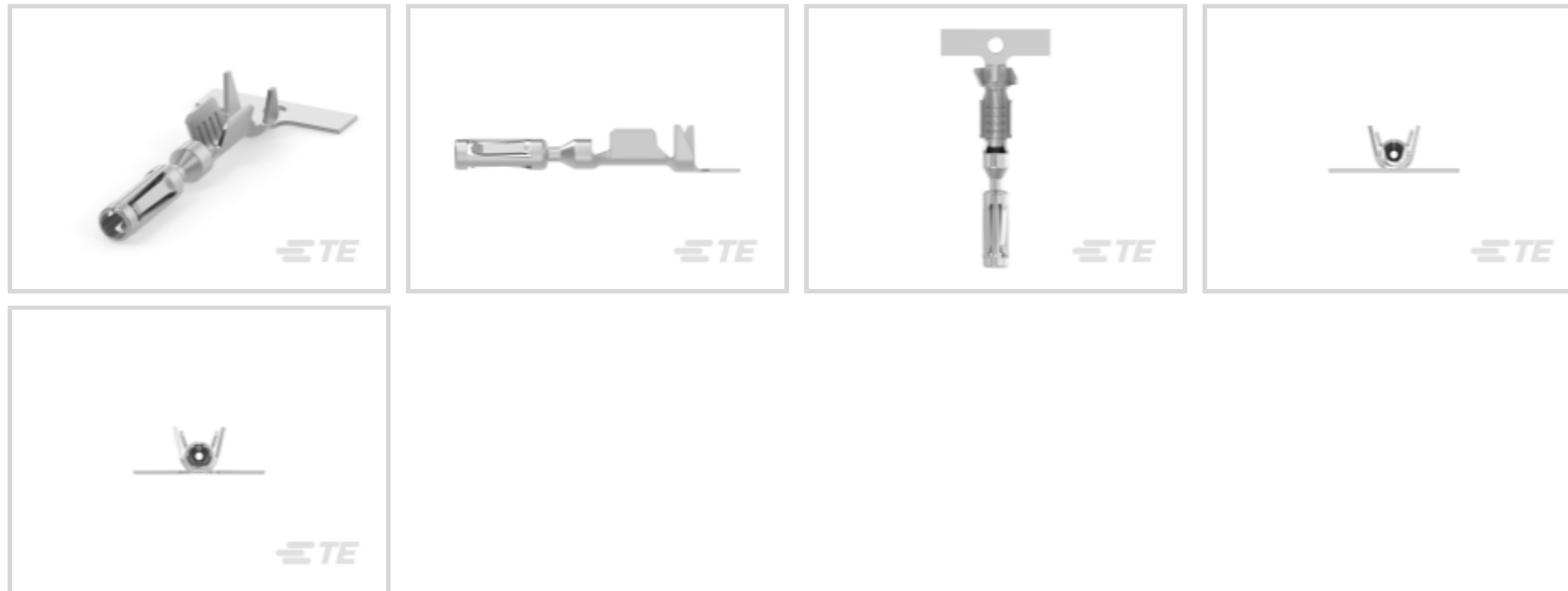
TE Internal #: 770520-6

Automotive Terminals, Socket, Pin Diameter 1.3 mm [.051 in], 22 – 24 AWG Wire Size, .22 – .35 mm<sup>2</sup> Wire Size, Family Seal, AMPSEAL

[View on TE.com >](#)



Terminals & Splices > Automotive Terminals > AMPSEAL Crimp Contacts: 1.3 mm



Terminal Type: **Socket**

Mating Pin Diameter: **1.3 mm [.051 in]**

Terminal Transmits: **0 – 24 A (Low Power)**

Wire Size: **.22 – .35 mm<sup>2</sup>**

[All AMPSEAL Crimp Contacts: 1.3 mm \(8\)](#)

## Features

### Product Type Features

Receptacle Style	180°
Sealable	No
Primary Locking Feature	On the Terminal

### Body Features

Terminal Seal Type	Family Seal
--------------------	-------------

### Contact Features

Contact Size	1.3mm
Contact Fabrication	Stamped & Formed
Wire Contact Termination Area Plating Material	Tin
Typical Current Rating	11 A
Crimp Type	F-Crimp
Terminal Type	Socket
Mating Pin Diameter	1.3 mm[.051 in]
Interface Plating	Tin (Sn)



### Termination Features

Termination Method to Wire & Cable	Crimp
Product Terminates To	Wire

### Dimensions

Accepts Wire Insulation Diameter Range	1.4 – 1.8 mm [.055 – .074 in]
Wire Size	.22 – .35 mm <sup>2</sup>
Wire Size Search	22 AWG, 24 AWG

### Usage Conditions

Insulation Option	Uninsulated
Operating Temperature (Max)	105 °C [221 °F]
Operating Temperature Range	-40 – 105 °C [-40 – 221 °F]

### Packaging Features

Packaging Quantity	5000
Packaging Method	Reel

### Other

Terminal Transmits	0 – 24 A (Low Power)
--------------------	----------------------

### Product Compliance

[For compliance documentation, visit the product page on TE.com>](#)

EU RoHS Directive 2011/65/EU	Compliant
EU ELV Directive 2000/53/EC	Compliant
China RoHS 2 Directive MIIT Order No 32, 2016	No Restricted Materials Above Threshold
EU REACH Regulation (EC) No. 1907/2006	Current ECHA Candidate List: JAN 2023 (233) Candidate List Declared Against: JAN 2023 (233) Does not contain REACH SVHC
Halogen Content	Low Halogen - Br, Cl, F, I < 900 ppm per homogenous material. Also BFR/CFR/PVC Free
Solder Process Capability	Not reviewed for solder process capability

#### Product Compliance Disclaimer

This information is provided based on reasonable inquiry of our suppliers and represents our current actual knowledge based on the information they provided. This information is subject to change. The part numbers that TE has identified as EU RoHS compliant have a maximum concentration of 0.1% by weight in homogenous materials for lead, hexavalent

chromium, mercury, PBB, PBDE, DBP, BBP, DEHP, DIBP, and 0.01% for cadmium, or qualify for an exemption to these limits as defined in the Annexes of Directive 2011/65/EU (RoHS2). Finished electrical and electronic equipment products will be CE marked as required by Directive 2011/65/EU. Components may not be CE marked. Additionally, the part numbers that TE has identified as EU ELV compliant have a maximum concentration of 0.1% by weight in homogenous materials for lead, hexavalent chromium, and mercury, and 0.01% for cadmium, or qualify for an exemption to these limits as defined in the Annexes of Directive 2000/53/EC (ELV). Regarding the REACH Regulation, the information TE provides on SVHC in articles for this part number is based on the latest European Chemicals Agency (ECHA) 'Guidance on requirements for substances in articles' posted at this URL: <https://echa.europa.eu/guidance-documents/guidance-on-reach>

## Compatible Parts



TE Part # CAT-AM78-CH8172  
AMPSEAL Receptacle Housings



TE Part # 2837822-1  
OCEAN-2.0-APPLICATOR-S-062F091O



TE Part # 2837822-2  
OCEAN-2.0-APPLICATOR-S-062F091O




TE Part # 7-2837822-7  
OCEAN\_2.0\_SPARE\_PART\_KIT-062F091O

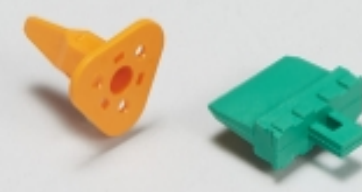


TE Part # 2396101-1  
CCII HAND TOOL


## Also in the Series | AMPSEAL



Automotive Connector Caps & Covers (5)



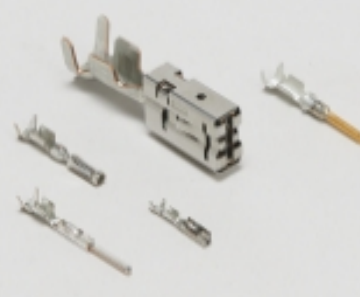
Automotive Connector Locks & Position Assurance(1)



Automotive Housings(31)



Automotive Seals & Cavity Plugs(1)



Automotive Terminals(8)



PCB Headers & Receptacles(116)

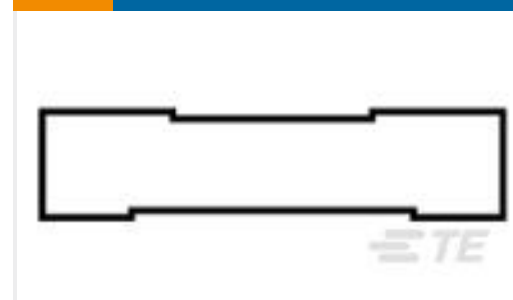
## Customers Also Bought



TE Part #323676  
TERMINAL,PIDG R 16-14 4



TE Part #2600027-1  
3CCT BLACK PLUG W/SMALL SEAL



TE Part #55785-1  
SPLICE, BUTT P.G. 16-14 CLEAR



TE Part #5406298-1  
MJ ASSY,S/P,8POS,SH,RVPGT,CAT4



TE Part #2057693-1  
IMP100S,R,RA3P8C,UG,39



TE Part #ZPF000000000015191  
DMC-M 04-12 BN



TE Part #2-2378159-3  
Power Versa-Lock PLUG, 1X3 KEY B



TE Part #2325347-3  
Power Versa-Lock INTERFACE SEAL,  
1X3



TE Part #2329906-1  
Power Versa-Lock TAB, 18-20, 2X22  
AWG

## Documents

### Product Drawings

[AMPSEAL,TERMINAL,TIN PLATE,22-24AWG WIRE](#)

English

### CAD Files

[3D PDF](#)

3D

Customer View Model

[ENG\\_CVM\\_CVM\\_770520-6\\_R.2d\\_dxf.zip](#)

English

Customer View Model

[ENG\\_CVM\\_CVM\\_770520-6\\_R.3d\\_igs.zip](#)

English

Customer View Model

[ENG\\_CVM\\_CVM\\_770520-6\\_R.3d\\_stp.zip](#)

English

By downloading the CAD file I accept and agree to the [Terms and Conditions](#) of use.



[Product Specifications](#)

[Application Specification](#)

English