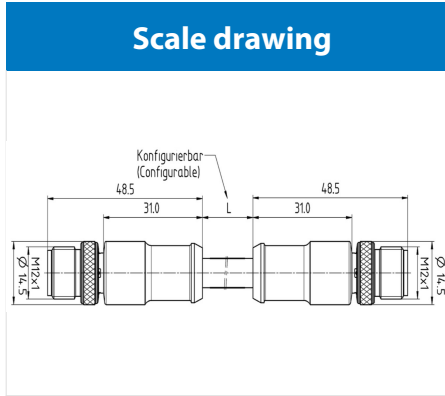


Product description **Contacts: 8, M12 cordset 8p A-coded male to male straight  
15m shielded Ethernet TPE**  
Area **M12-A Series 763**  
Order number **77 3529 3529 34708-1500**



### Contact arrangement

	X	Y
1	2,69	0,57
2	0,57	2,69
3	-1,66	2,20
4	-2,75	0,19
5	-1,94	-1,94
6	0,19	-2,74
7	2,20	-1,65
8	0,00	0,00

- 1. white/blue
- 2. white/brown
- 3. brown
- 4. orange
- 5. white/green
- 6. white/orange
- 7. blue
- 8. green
- shield-shielding sleeve

## Technical data

### General values

Connector design cable connector  
Connector locking system bolted  
Termination moulded on cable  
Wire gauge (mm) 0,25 mm<sup>2</sup>  
Wire gauge (AWG) (24)  
Upper limit temperature 90 °C  
Lower limit temperature -25 °C

### Cable data

Sheath material TPE  
Single-lead insulation HDPE  
Single-lead structure 7 x 32  
Cable diameter 6  
Conductor resistance <79Ω/Km  
Temperature range, moving cable, °C from -40 to 80  
Temperature range, fixed cable, °C from -40 to 80  
Bending radius, fixed cable min. 10 x D  
Bending radius, moving cable min. 20 x D  
Approval 1 UL listed

### Electrical values

Rated current (40 °C) 2 A  
Rated voltage 30 V  
Rated impulse voltage 800 V  
Pollution degree 3  
Overvoltage category II  
Insulating material group II  
Volume resistivity ≤ 3 mΩ  
Insulation resistance ≥ 10<sup>10</sup>Ω  
EMC compliance not shielded  
Degree of protection IP68  
Mechanical operation > 100 Mating cycles

### Material

Contact material CuZn (brass)  
Contact plating Au (gold)  
Contact body material PUR  
Housing material PUR

Product description	<b>Contacts: 8, M12 cordset 8p A-coded male to male straight 15m shielded Ethernet TPE</b>
Area	<b>M12-A Series 763</b>
Order number	<b>77 3529 3529 34708-1500</b>

## Security notices

The connectors are designed for use in plant, control system and electrical equipment. The end user is responsible for checking whether the connectors are suitable for use in other applications.

Connectors with degree of protection IP 67 and IP 68 are not suitable for use under water. When used outdoors, the connectors must be separately protected against corrosion. For further information about IP degrees of protection refer to 'Technical support' in the Download Centre.

To lock the cable connector to the equipment connector, the threaded ring is tightened until it is 'finger-tight' (approx. 50 cNm).