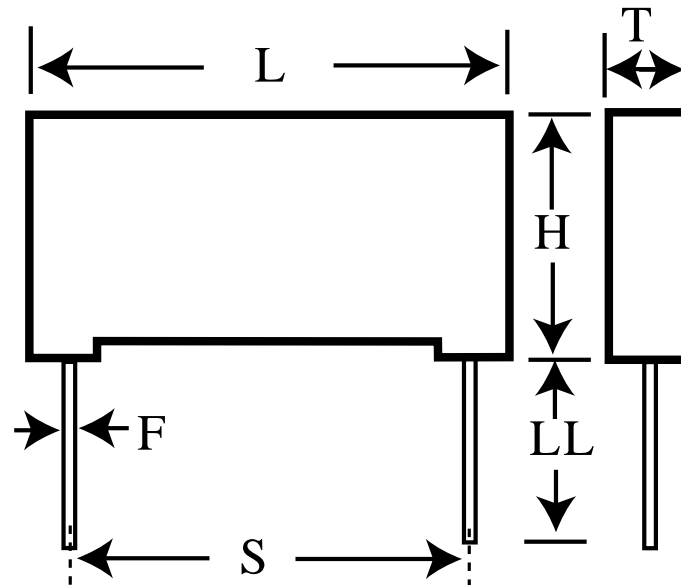


R76UI0470DQ00K

aka 76UI0470DQ00K

Capacitor, film, 470 pF, +/-10% Tol, -55/+105C, General Purpose, 2000V@85C, Lead Spacing=15 mm



Dimensions (mm)

Specifications

| ID | Dimension | Tolerance | Manufacturer: | KEMET |
|----|-----------|-----------|------------------------------|-------------------|
| L | 18 | +0.3 | Brand: | Arcotronics |
| H | 11 | +0.1 | Capacitance: | 470 pF |
| T | 5 | +0.2 | Temperature Range: | -55/+105C |
| S | 15 | +/-0.4 | Rated Temperature: | 85C |
| LL | 18.5 | +/-0.5 | Voltage @ rated temp: | 2000V |
| F | 0.8 | +/-0.05 | Voltage AC: | 700VAC |
| | | | Tolerance: | +/-10% |
| | | | Body Type: | Radial Box |
| | | | Construction: | Double Metallized |
| | | | Application: | General Purpose |
| | | | Sub Application: | Pulse |
| | | | Dissipation Factor @ 1 kHz: | 0.03% |
| | | | Dissipation Factor @ 10 kHz: | 0.04% |
| | | | Dissipation Factor @ 100kHz: | 0.15% |
| | | | Insulation Resistance: | 100 GOhm |
| | | | Inductance: | 10 nH |
| | | | Maximum dVdT: | 9500v/us |
| | | | Maximum K0: | 38000000V^2/us |
| | | | Package Kind: | Ammo |
| | | | Package Type: | Box |
| | | | Package Quantity: | 800 |