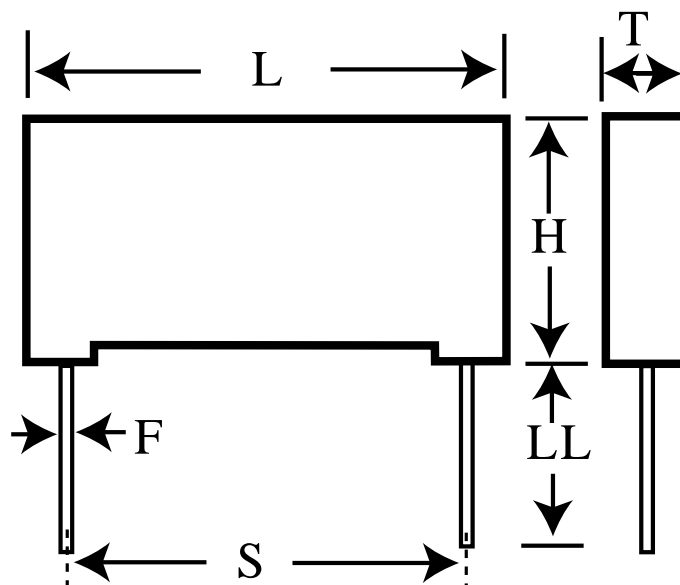


R76UI0390CK00J

aka 76UI0390CK00J

Capacitor, film, 390 pF, +/-5% Tol, -55/+105C, General Purpose, 2000V@85C, Lead Spacing=15 mm



Dimensions (mm)

ID	Dimension	Tolerance
L	18	+0.3
H	11	+0.1
T	5	+0.2
S	15	+/-0.4
LL	18.5	+/-0.5
F	0.8	+/-0.05

Specifications

Manufacturer:	KEMET
Brand:	Arcotronics
Capacitance:	390 pF
Temperature Range:	-55/+105C
Rated Temperature:	85C
Voltage @ rated temp:	2000V
Voltage AC:	700VAC
Tolerance:	+/-5%
Body Type:	Radial Box
Construction:	Double Metallized
Application:	General Purpose
Sub Application:	Pulse
Dissipation Factor @ 1 kHz:	0.03%
Dissipation Factor @ 10 kHz:	0.04%
Dissipation Factor @ 100kHz:	0.15%
Insulation Resistance:	100 GOhm
Inductance:	10 nH
Maximum dVdT:	9500v/us
Maximum K0:	38000000V^2/us
Package Kind:	T&R
Package Size:	500mm
Package Quantity:	1250