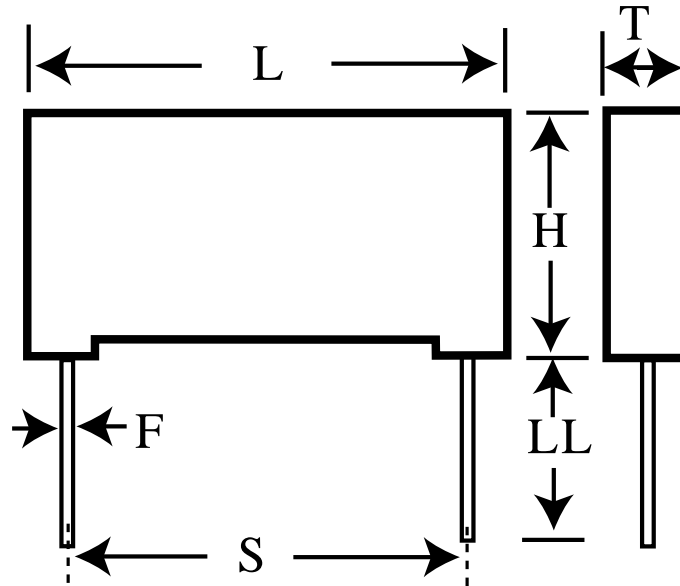


R76UI02704000J

aka 76UI02704000J

Capacitor, film, 270 pF, +/-5% Tol, -55/+105C, Pulse, 2000V@85C,
Lead Spacing=15 mm



Dimensions (mm)

ID	Dimension	Tolerance
L	18	+0.3
H	11	+0.1
T	5	+0.2
S	15	+/-0.4
LL	30	+5
F	0.8	+/-0.05

Specifications

Manufacturer:	KEMET
Brand:	Arcotronics
Capacitance:	270 pF
Temperature Range:	-55/+105C
Rated Temperature:	85C
Voltage @ rated temp:	2000V
Voltage AC:	700VAC
Tolerance:	+/-5%
Body Type:	Radial Box
Construction:	Double Metallized
Application:	Pulse
Dielectric:	Metallized Polypropylene
Dissipation Factor @ 1 kHz:	0.03%
Dissipation Factor @ 10 kHz:	0.04%
Dissipation Factor @ 100kHz:	0.15%
Inductance:	10 nH
Maximum dVdT:	9500v/us
Maximum K0:	38000000V ² /us
Package Kind:	Bulk
Package Type:	Bag
Package Quantity:	1000