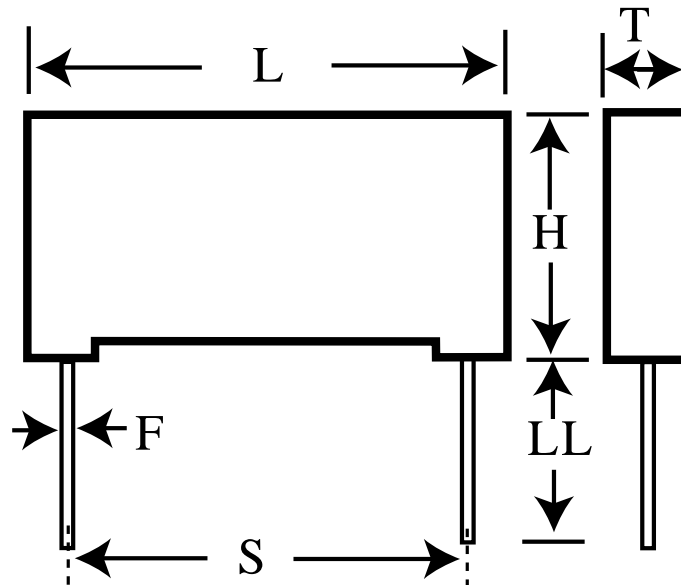


R76TN23304040K

aka 76TN23304040K

Capacitor, film, 0.033 uF, +/-10% Tol, -55/+105C, General Purpose, 1600V@85C, Lead Spacing=22.5 mm



Dimensions (mm)

ID	Dimension	Tolerance
L	26.5	+0.3
H	15	+0.1
T	6	+0.2
S	22.5	+/-0.4
LL	30	+5
F	0.8	+/-0.05

Specifications

Manufacturer:	KEMET
Brand:	Arcotronics
Capacitance:	0.033 uF
Temperature Range:	-55/+105C
Rated Temperature:	85C
Voltage @ rated temp:	1600V
Voltage AC:	650VAC
Tolerance:	+/-10%
Body Type:	Radial Box
Construction:	Double Metallized
Application:	General Purpose
Sub Application:	Pulse
Dissipation Factor @ 1 kHz:	0.03%
Dissipation Factor @ 10 kHz:	0.04%
Dissipation Factor @ 100kHz:	0.15%
Insulation Resistance:	100 GOhm
Inductance:	18 nH
Maximum dVdT:	3000v/us
Maximum K0:	9600000V^2/us
Package Kind:	Bulk
Package Type:	Bag
Package Quantity:	500