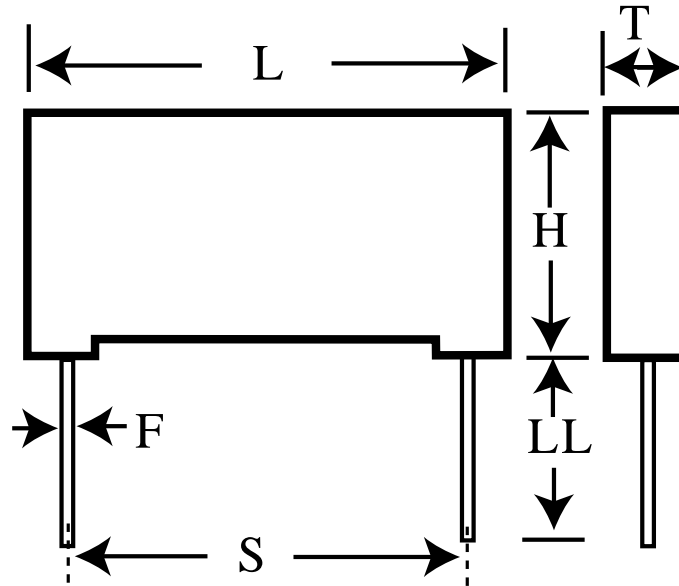


Capacitor, film, 8200 pF, +/-5% Tol, -55/+105C, General Purpose, 1000V@85C, Lead Spacing=15 mm



Dimensions (mm)

Specifications

ID	Dimension	Tolerance	Manufacturer:	KEMET
L	18	+0.3	Brand:	Arcotronics
H	11	+0.1	Capacitance:	8200 pF
T	5	+0.2	Temperature Range:	-55/+105C
S	15	+/-0.4	Rated Temperature:	85C
LL	30	+5	Voltage @ rated temp:	1000V
F	0.8	+/-0.05	Voltage AC:	600VAC
			Tolerance:	+/-5%
			Body Type:	Radial Box
			Construction:	Double Metallized
			Application:	General Purpose
			Sub Application:	Pulse
			Dissipation Factor @ 1 kHz:	0.03%
			Dissipation Factor @ 10 kHz:	0.04%
			Dissipation Factor @ 100kHz:	0.15%
			Insulation Resistance:	100 GOhm
			Inductance:	10 nH
			Maximum dVdT:	3300v/us
			Maximum K0:	6600000V^2/us
			Package Kind:	Bulk
			Package Type:	Bag
			Package Quantity:	1000