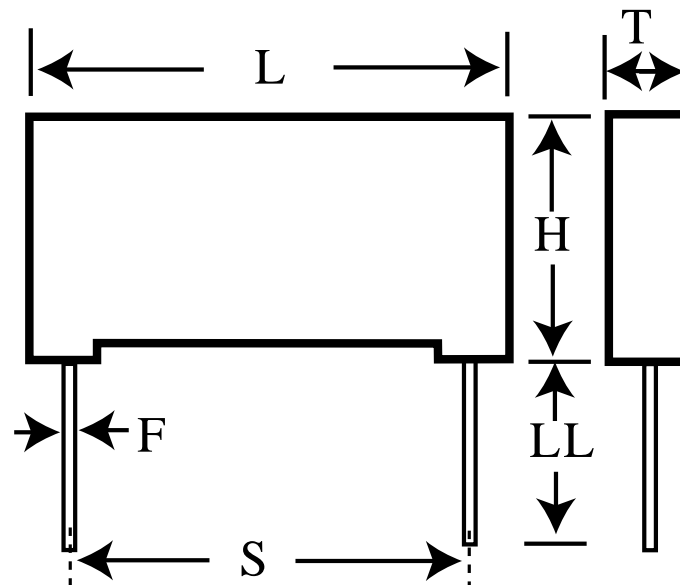


# R76PD1330CK40J

aka 76PD1330CK40J

Capacitor, film, 3300 pF, +/-5% Tol, -55/+105C, General Purpose, 630V@85C, Lead Spacing=7.5 mm



## Dimensions (mm)

## Specifications

ID	Dimension	Tolerance	Manufacturer:	KEMET
L	10	+0.2	Brand:	Arcotronics
H	9	+0.1	Capacitance:	3300 pF
T	4	+0.1	Temperature Range:	-55/+105C
S	7.5	+/-0.4	Rated Temperature:	85C
LL	18.5	+/-0.5	Voltage @ rated temp:	630V
F	0.5	+/-0.05	Voltage AC:	250VAC
			Tolerance:	+/-5%
			Body Type:	Radial Box
			Construction:	Double Metallized
			Application:	General Purpose
			Sub Application:	Pulse
			Dissipation Factor @ 1 kHz:	0.03%
			Dissipation Factor @ 10 kHz:	0.04%
			Dissipation Factor @ 100kHz:	0.15%
			Insulation Resistance:	100 GOhm
			Inductance:	8 nH
			Maximum dVdT:	2800v/us
			Maximum K0:	3550000V <sup>2</sup> /us
			Package Kind:	T&R
			Package Size:	355mm
			Package Quantity:	1500