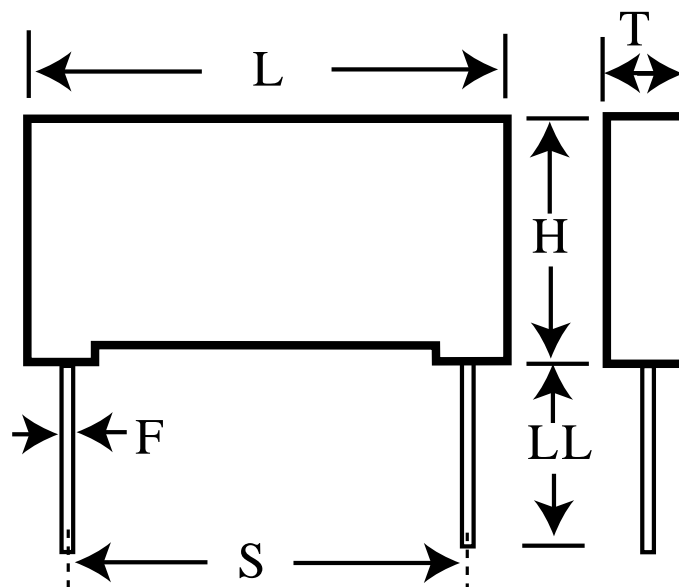


R76MD2180CK40K

aka 76MD2180CK40K

Capacitor, film, 0.018 uF, +/-10% Tol, -55/+105C, General Purpose, 400V@85C, Lead Spacing=7.5 mm



Dimensions (mm)

Specifications

ID	Dimension	Tolerance	Manufacturer:	KEMET
L	10	+0.2	Brand:	Arcotronics
H	10.5	+0.1	Capacitance:	0.018 uF
T	5	+0.1	Temperature Range:	-55/+105C
S	7.5	+/-0.4	Rated Temperature:	85C
LL	18.5	+/-0.5	Voltage @ rated temp:	400V
F	0.5	+/-0.05	Voltage AC:	250VAC
			Tolerance:	+/-10%
			Body Type:	Radial Box
			Construction:	Double Metallized
			Application:	General Purpose
			Sub Application:	Pulse
			Dissipation Factor @ 1 kHz:	0.03%
			Dissipation Factor @ 10 kHz:	0.04%
			Dissipation Factor @ 100kHz:	0.15%
			Insulation Resistance:	100 GOhm
			Inductance:	8 nH
			Maximum dVdT:	1700v/us
			Maximum K0:	1360000V^2/us
			Package Kind:	T&R
			Package Size:	355mm
			Package Quantity:	1200