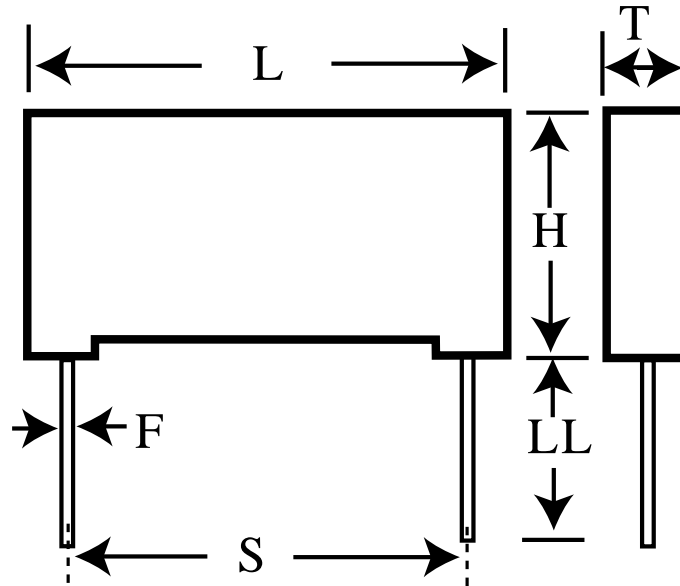


R76IN35604030J

aka 76IN35604030J

Capacitor, film, 0.56 uF, +/-5% Tol, -55/+105C, Pulse, 250V@85C,
Lead Spacing=22.5 mm



Dimensions (mm)

Specifications

ID	Dimension	Tolerance	Manufacturer:	KEMET
L	26.5	+0.3	Brand:	Arcotronics
H	17	+0.1	Capacitance:	0.56 uF
T	8.5	+0.2	Temperature Range:	-55/+105C
S	22.5	+/-0.4	Rated Temperature:	85C
LL	30	+5	Voltage @ rated temp:	250V
F	0.8	+/-0.05	Voltage AC:	180VAC
			Tolerance:	+/-5%
			Body Type:	Radial Box
			Construction:	Double Metallized
			Application:	Pulse
			Dielectric:	Metallized Polypropylene
			Dissipation Factor @ 1 kHz:	0.03%
			Dissipation Factor @ 10 kHz:	0.06%
			Insulation Resistance:	53.57 GOhm
			Inductance:	18 nH
			Maximum dVdT:	250v/us
			Maximum K0:	130000V^2/us
			Package Kind:	Bulk
			Package Type:	Bag
			Package Quantity:	300