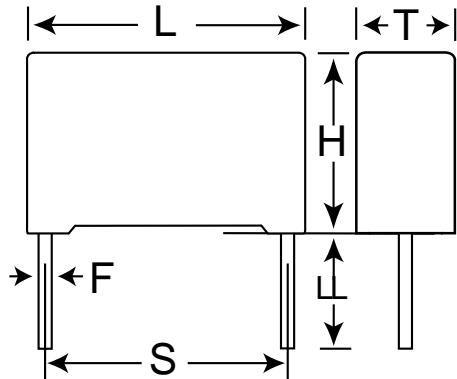


KEMET Part Number: R76IN3220CK00J
(76IN3220CK00J)

Capacitor, film, 0.22 uF, +/-5% Tol, -55/+105C, General Purpose, 250V@85C, Lead Spacing=22.5 mm



Dimensions (mm)		
Symbol	Dimension	Tolerance
L	26.5	+0.3
H	15	+0.1
T	6	+0.2
S	22.5	+/-0.4
LL	18.5	+/-0.5
F	0.8	Nom

Packaging Specifications	
Package Kind:	T&R
Package Size:	500mm
Package Quantity:	700

General Information	
Manufacturer:	KEMET

Electrical Specifications	
Capacitance:	0.22 uF
Rated Temperature:	85C
Voltage @ rated temp:	250V
Voltage AC:	180VAC
Tolerance:	+/-5%
Body Type:	Radial Box
Construction:	Double Metallized
Application:	General Purpose
Sub Application:	Pulse
Temperature Range:	-55/+105C
Dissipation Factor @ 1 kHz:	0.1%
Dissipation Factor @ 10 kHz:	0.06%
Dissipation Factor @ 100kHz:	0.1%
Insulation Resistance:	100 GOhm
Inductance:	18 nH
Maximum dVdT:	250v/us
Maximum K0:	130000V^2/us