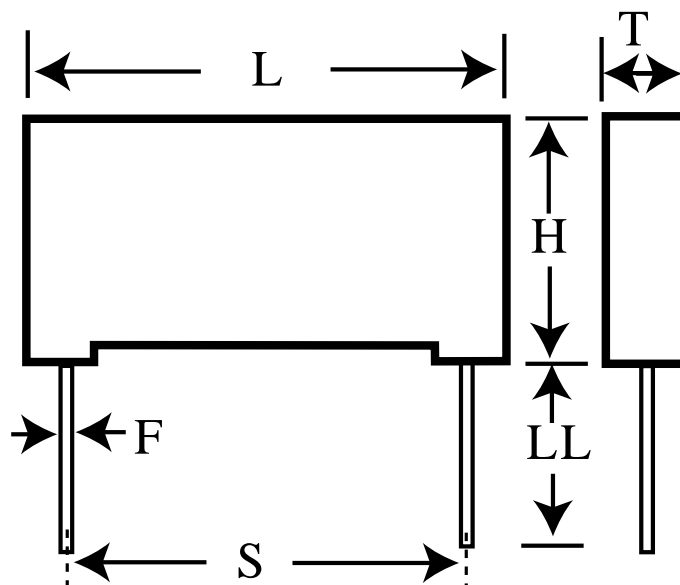


R76II3120DQ30J

aka 76II3120DQ30J

Capacitor, film, 0.12 uF, +/-5% Tol, -55/+105C, General Purpose, 250V@85C, Lead Spacing=15 mm



Dimensions (mm)

Specifications

ID	Dimension	Tolerance	Manufacturer:	KEMET
L	18	+0.3	Brand:	Arcotronics
H	12	+0.1	Capacitance:	0.12 uF
T	6	+0.2	Temperature Range:	-55/+105C
S	15	+/-0.4	Rated Temperature:	85C
LL	18.5	+/-0.5	Voltage @ rated temp:	250V
F	0.8	+/-0.05	Voltage AC:	180VAC
			Tolerance:	+/-5%
			Body Type:	Radial Box
			Construction:	Double Metallized
			Application:	General Purpose
			Sub Application:	Pulse
			Dissipation Factor @ 1 kHz:	0.03%
			Dissipation Factor @ 10 kHz:	0.06%
			Insulation Resistance:	100 GOhm
			Inductance:	10 nH
			Maximum dVdT:	550v/us
			Maximum K0:	280000V^2/us
			Package Kind:	Ammo
			Package Type:	Box
			Package Quantity:	680