

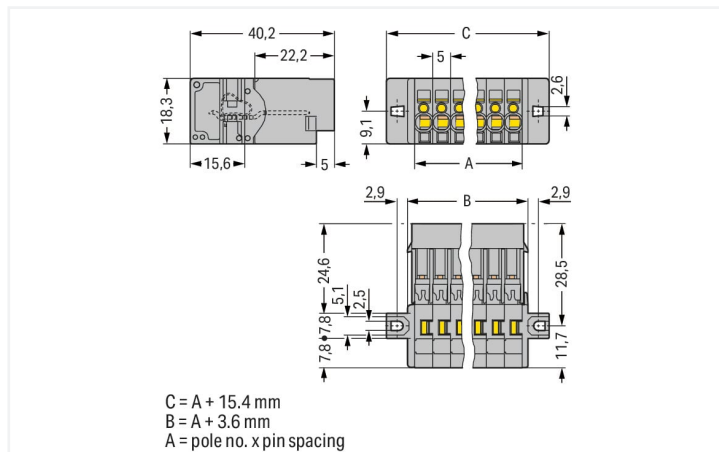
Data Sheet | Item Number: 769-612/002-000

1-conductor male connector; CAGE CLAMP®; 4 mm²; Pin spacing 5 mm; 12-pole; clamping collar; 4,00 mm²; gray

<https://www.wago.com/769-612/002-000>



Color: ■ gray



Dimensions in mm

Electrical data

Ratings per IEC/EN

Nominal voltage (III/3)	500 V
Rated impulse voltage (III / 3)	6 kV
Rated current	32 A
Legend (ratings)	(III / 3) \triangleq Overvoltage category III / Pollution degree 3

Connection data

Clamping units	12
Total number of potentials	12

Connection 1

Connection technology	CAGE CLAMP®
Actuation type	Operating tool
Connectable conductor materials	Copper
Nominal cross-section	4 mm ² / 12 AWG
Solid conductor	0.08 ... 4 mm ² / 28 ... 12 AWG
Fine-stranded conductor	0.08 ... 4 mm ² / 28 ... 12 AWG
Strip length	8 ... 9 mm / 0.31 ... 0.35 inches
Pole number	12
Wiring direction	Front-entry wiring

Physical data

Pin spacing	5 mm / 0.197 inches
Width	75.4 mm / 2.969 inches
Height from the surface	18.3 mm / 0.72 inches
Depth	40.2 mm / 1.583 inches

Mechanical data

Variable coding	Yes
Direct ground contact to DIN-rail/drilled hole/housing	No
Mounting type	Mounting flange
Anti-rotation protection	Yes

Plug-in connection

Contact type (pluggable connector)	Male connector/plug
Connector (connection type)	for conductor
Mismating protection	No

Material data

Note (material data)	Information on material specifications can be found here
Color	gray
Material group	I
Insulation material (main housing)	Polyamide (PA66)
Flammability class per UL94	V0
Fire load	0.812 MJ
Weight	36.6 g

Environmental requirements

Processing temperature	-35 ... +85 °C
Continuous operating temperature	-60 ... +105 °C

Commercial data

eCl@ss 10.0	27-14-11-06
eCl@ss 9.0	27-14-11-06
ETIM 9.0	EC001284
ETIM 8.0	EC001284
PU (SPU)	25 pcs
Packaging type	Box
Country of origin	PL
GTIN	4044918521734
Customs tariff number	85366930000

Environmental Product Compliance

RoHS Compliance Status	Compliant, No Exemption
------------------------	-------------------------

Approvals / Certificates

General approvals



Approval	Standard	Certificate Name
CCA DEKRA Certification B.V.	EN 60947	NTR NL-7626
CCA DEKRA Certification B.V.	EN 61984	2190419.02
CCA DEKRA Certification B.V.	IEC 61984	NL-47799/A1

General approvals

CSA CSA Group	C22.2	1101144
KEMA/KEUR DEKRA Certification B.V.	EN 60947	2190419.01
UL Underwriters Laboratories Inc.	UL 1977	E 45171
UR Underwriters Laboratories Inc.	UL 1059	E45172

Declarations of conformity and manufacturer's declarations

Approval	Standard	Certificate Name
EU-Declaration of Conformity WAGO GmbH & Co. KG	-	-
UK-Declaration of Conformity WAGO GmbH & Co. KG	-	-

Approvals for marine applications



Approval	Standard	Certificate Name
DNV GL Det Norske Veritas, Germanischer Lloyd	-	TAE00001V2

Downloads

Environmental Product Compliance

Compliance Search

Environmental Product Compliance 769-612/002-000	↓
---	---

Documentation

Additional Information

Technical Section	pdf 2246.92 KB	↓
-------------------	-------------------	---

Bid Text

769-612/002-000	19.02.2019	xml 3.24 KB	↓
769-612/002-000	04.10.2017	doc 25.00 KB	↓

CAD/CAE-Data

CAD data

2D/3D Models 769-612/002-000	↓
---------------------------------	---

CAE data

EPLAN Data Portal 769-612/002-000	↓
WSCAD Universe 769-612/002-000	↓
ZUKEN Portal 769-612/002-000	↓

1 Compatible Products

1.1 System counterpart

1.1.1 Female connector/socket



Item No.: 769-112
1-conductor female connector; CAGE CLAMP®; 4 mm²; Pin spacing 5 mm; 12-pole; coding finger; 4,00 mm²; gray

Item No.: 769-112/021-000
1-conductor female connector; CAGE CLAMP®; 4 mm²; Pin spacing 5 mm; 12-pole; coding finger; Lateral locking levers; 4,00 mm²; gray

Item No.: 769-132
2-conductor female connector; CAGE CLAMP®; 4 mm²; Pin spacing 5 mm; 12-pole; coding finger; 4,00 mm²; gray

1.2 Required Accessories

1.2.1 Installation

1.2.1.1 Mounting accessories



Item No.: 769-499

Fixing screw M2.5 x 16; and hexagon nut M2.5

1.3 Optional Accessories

1.3.1 Coding

1.3.1.1 Coding



Item No.: 769-435

Coding pin; for coding of female plugs; for carrier terminal blocks / male connectors; orange

1.3.2 Ferrule

1.3.2.1 Ferrule



Item No.: 216-201

Ferrule; Sleeve for 0.5 mm² / 20 AWG; insulated; electro-tin plated; white



Item No.: 216-101

Ferrule; Sleeve for 0.5 mm² / AWG 22; un-insulated; electro-tin plated; silver-colored



Item No.: 216-202

Ferrule; Sleeve for 0.75 mm² / 18 AWG; insulated; electro-tin plated; gray



Item No.: 216-102

Ferrule; Sleeve for 0.75 mm² / AWG 20; un-insulated; electro-tin plated; silver-colored



Item No.: 216-203

Ferrule; Sleeve for 1 mm² / AWG 18; insulated; electro-tin plated; red



Item No.: 216-103

Ferrule; Sleeve for 1 mm² / AWG 18; un-insulated; electro-tin plated



Item No.: 216-204

Ferrule; Sleeve for 1.5 mm² / AWG 16; insulated; electro-tin plated; black



Item No.: 216-104

Ferrule; Sleeve for 1.5 mm² / AWG 16; un-insulated; electro-tin plated; silver-colored



Item No.: 216-206

Ferrule; Sleeve for 2.5 mm² / AWG 14; insulated; electro-tin plated; blue

1.3.3 Insulation stop

1.3.3.1 Insulation stop



Item No.: 769-470

Insulation stop; 0.08 - 0.2 mm² "s" (0.14 mm² "f-st"); 5 pieces/strip; white



Item No.: 769-471

Insulation stop; 0.25 - 0.5 mm²; 5 pieces/strip; light gray



Item No.: 769-472

Insulation stop; 0.75 - 1 mm²; 5 pieces/strip; dark gray

1.3.4 Marking

1.3.4.1 Marker



Item No.: [248-501](#)

Mini-WSB marking card; as card; not stretchable; plain; snap-on type; white

1.3.4.2 Marking strip



Item No.: [210-833](#)

Marking strips; 25 m on roll; 6 mm wide; plain; Self-adhesive; white



Item No.: [210-831](#)

Marking strips; on reel; 2.3 mm wide; plain; Self-adhesive; white



Item No.: [210-832](#)

Marking strips; on reel; 3 mm wide; plain; Self-adhesive; white



Item No.: [210-834](#)

Marking strips; on reel; 5 mm wide; plain; Self-adhesive; white

1.3.5 Protective warning marker

1.3.5.1 Cover



Item No.: [280-415](#)

Protective warning marker; for 5 terminal blocks; with high-voltage symbol, black; yellow

1.3.6 Strain relief

1.3.6.1 Strain relief



Item No.: [769-414](#)

Strain relief plate; for female and male connectors; 1 part; Pin spacing 5 mm; 10- to 15-pole; gray

1.3.7 Tool

1.3.7.1 Operating tool



Item No.: [210-490](#)

Operating tool

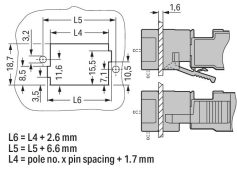


Item No.: [769-434](#)

Operating tool; made of insulating material; 1-way; loose; white

Installation Notes

Installation



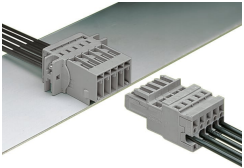
Cutout
 Headers with solder pins and mounting flanges

Conductor termination



Operating tool
 Inserting a conductor via operating tool (example shows a male connector).

Application



Male connector with CAGE CLAMP® and mounting flanges
 1-connector female plug, straight

Marking



Labeling a male connector with CAGE CLAMP® connection via Mini-WSB Quick Markers.