

PRODUCT NUMBER  
76745-YXX-XXLF

WHEN REQUIRED, ADD SUFFIX LETTER "LF"  
INDICATES THE PRODUCT IS RoHS  
COMPATIBLE, SEE NOTE 6

TOTAL NB OF POS (04 TO 72 POS)

PIN STYLE

PLATING

1 = 0.76µm GOLD/GXT,  
OVER 1.27µm Ni MIN

8 = 0.38µm GOLD/GXT  
OVER 1.27µm Ni MIN

3 = 3.81µm TIN/LEAD  
OVER 1.27µm Ni MIN

- WHEN "LF" IS REQUIRED, 2µm MATTE  
TIN OVER 1.27µm MIN NICKEL IS  
PROVIDED INSTEAD OF TIN-LEAD

NOTES:

- HOUSING MAT'L : HIGH TEMPERATURE THERMOPLASTIC. UL94V-0 COLOR: BLACK.
- PIN MATERIAL : PHOSPHOR BRONZE.
- 12N MIN RETENTION IN EITHER DIRECTION.
- TO DETERMINE DIMENSIONS :  
N = NUMBER OF POSITIONS PER ROW  
EXAMPLE : 8 POS PER ROW, N x 2.54 = 20.32mm
- FOR STANDARD SELECTIVE GOLD PLATED PRODUCTS  
SEE DRAWINGS 54112 & 54122.
- STANDARD PACKAGING IN POLYBAGS
- RoHS COMPATIBLE PRODUCT SPECIFICATIONS

a - PLATING:

- "LF" MEANS THE PRODUCT IS LEAD-FREE,  
2µm MINIMUM MATTE TIN OVER 1.27µm  
MINIMUM NICKEL UNDERPLATE.

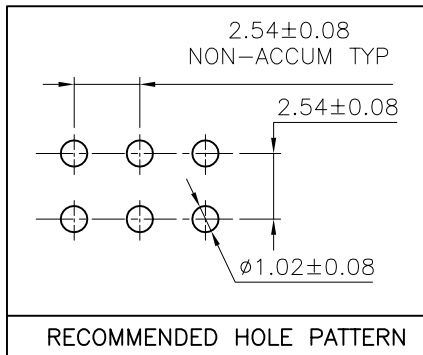
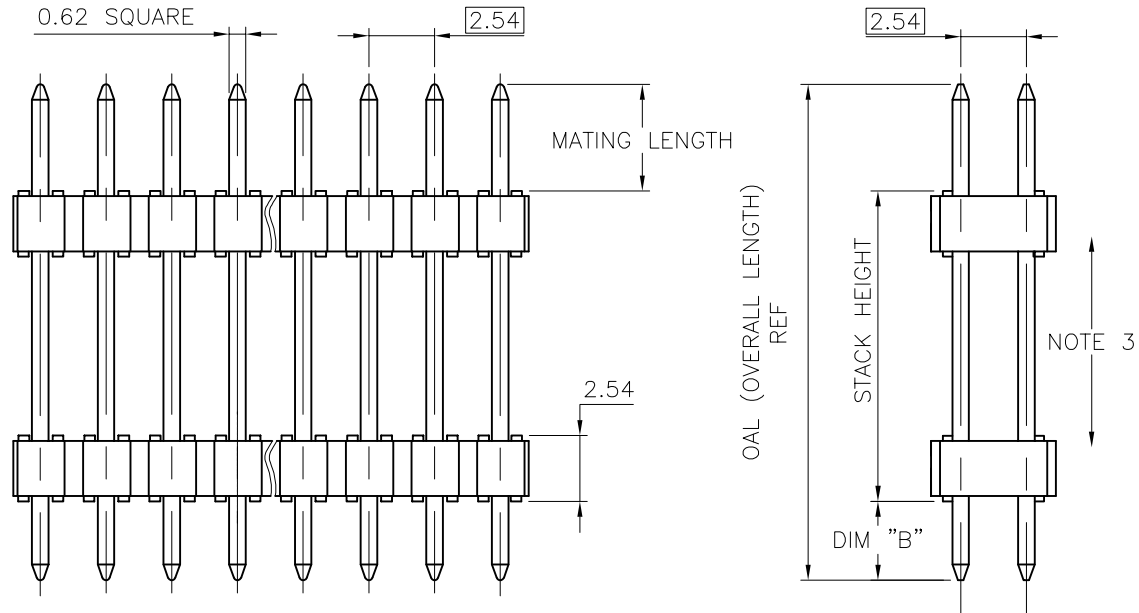
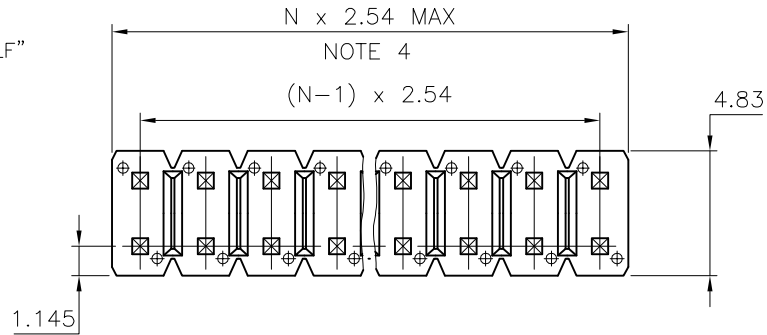
b - MANUFACTURING PROCESS COMPATIBILITY

- THE HOUSING WILL WITHSTAND EXPOSURE TO  
260°C ±5°C SOLDER BATH TEMPERATURE FOR  
WITH A 1.6mm MIN THICK CIRCUIT BOARD.

c - LABELING:

- MEETS PACKAGING SPECS AS PER GS-14-920

d - LEGAL STATEMENT: SEE GS-22-008



mat'l. code SEE NOTES		surface ISO 1302	tolerance ISO 406 ISO 1101	projection mm	product family BSTIK
ltr	ecn no	dr	date	tolerances unless otherwise specified	title
EX	F11-0045	LMU	11.04.05	angles linear x.xx ±0.3 x.xxx ±0.13 x.xxx ±0.05	HEADER STR,DR DOUBLE BODY
ES	F07-0266	JCO	07.10.15	scale 5:1	dwg no
ET	F08-0148	JCO	08.05.27	dr NIZZI P	sheet 1 of 3
EU	F08-0236	LMU	09.11.13	enr COMPAGNON J	size
EV	F10-0221	LMU	10.09.08	chr	76745
EW	F10-0259	LMU	10.12.19	appd JMC	95.12.05
sheet index	revision sheet	EX	BW	C	type CUSTOMER Drawing
		1	2	3	

APPLICATION SPECIFIC				
PIN STYLE	MATING LENGTH ±0.2	STACK HEIGHT ±0.25	"B" ±0.25	("OAL") REF
01	8.71	19.76	2.65	31.12
02	6.87	16.5	3.05	26.42
03	6.87	13.0	3.63	23.5
04	5.6	6.5	2.88	14.98
05	5.51	8.0	3.05	16.56
06	6.61	11.3	3.05	20.96
07	5.58	10.3	2.54	18.42
08	5.81	7.7	3.05	16.56
09	5.72	5.08	2.54	13.34
10	6.9	10.45	2.71	20.06
11	11.2	9.5	2.8	23.5
12	3.11	8.0	3.11	14.22
13	9.07	6.3	3.05	18.42
14	5.33	21.5	2.48	29.31
15	13.26	10.11	3.05	26.42
17	7.5	23.45	3.05	34.0
18	7.5	18.85	2.96	29.31
19	9.5	10.45	3.55	23.5
21	11.96	18.5	3.2	33.66
23	9.0	25.9	3.05	37.95
24	8.87	14.5	3.05	26.42
25	9.84	11.43	9.85	31.12
26	7.5	8.38	2.54	18.42
28	6.6	8.25	2.8	17.65
29	9.1	15.7	3.2	28.0
30	8.0	14.35	2.55	24.9
31	8.0	22.8	3.2	34.0
34	8.0	12.0	3.0	23.0
35	7.41	7.7	2.54	17.65
36	10.55	7.5	10.53	28.58
37	5.72	20.44	7.5	33.66
40	7.0	6.5	3.06	16.56
41	7.72	9.0	3.05	19.77
47	5.59	13.0	3.05	21.64
48	8.54	16.5	2.96	28.0
51	5.6	10.0	2.99	18.59
52	9.0	7.96	4.0	20.96
53	5.69	9.0	3.9	18.59
54	9.91	13.08	3.05	26.04
55	13.0	20.0	3.2	36.2
57	11.78	5.08	3.23	20.06

APPLICATION SPECIFIC				
PIN STYLE	MATING LENGTH ±0.2	STACK HEIGHT ±0.25	"B" ±0.25	("OAL") REF
58	23.0	8.5	5.5	36.97
59	9.0	18.2	9.0	36.2
62	9.2	9.3	3.5	22.0
68	6.75	8.0	2.9	17.65
70	6.95	16.44	2.7	26.04
71	6.8	5.2	2.69	14.69
72	6.9	11.0	2.75	20.65
73	11.1	6.35	3.2	20.65
74	14.3	11.0	3.11	28.41
75	6.9	24.0	3.1	34.0
79	9.95	39.0	3.05	52.0
80	5.68	7.0	2.3	15.0
83	13.2	8.0	3.7	24.9
85	9.25	11.2	3.05	23.5
88	10.8	8.0	3.7	22.5
97	10.3	34.0	5.7	50.0
AM	8.46	5.08	8.46	22.0
AN	10.0	29.0	3.0	42.0
AT	8.0	13.3	2.2	23.5
BA	10.5	9.0	10.5	29.98
BB	8.5	11.5	5.4	25.4
BD	11.7	13.5	3.21	28.41
BE	9.2	6.5	9.2	24.9
BM	11.5	11.5	3.04	26.04
BR	7.8	32.3	4.35	44.45
BT	8.5	35.0	8.5	52.0
BV	14.8	18.9	3.27	36.97
BW	7.7	29.0	3.3	40.0
BX	13.8	5.1	8.9	27.8
CB	9.0	30.0	3.0	42.0
CD	9.24	12.0	9.24	30.48
CE	3.10	11.45	3.10	17.65
CF	8.25	16.0	8.25	32.5

APPLICATION SPECIFIC				
PIN STYLE	MATING LENGTH ±0.2	STACK HEIGHT ±0.25	"B" ±0.25	("OAL") REF
CG	6.0	40.0	6.0	52.0
CH	11.02	12.0	3.02	26.04
CK	8.55	26.0	3.4	37.95
CN	7.08	5.60	7.08	19.77
CP	9.50	7.00	2.41	18.91
CR	7.47	24.40	5.10	36.97
CS	8.30	5.50	5.97	19.77
CT	11.0	6.0	11.0	28.0
CU	9.75	13.0	9.75	32.5
CV	9.44	13.00	3.60	26.04
CW	5.00	36.00	5.00	46.00
CX	10.00	26.00	6.00	42.00
CY	10.9	18.20	10.9	40.00
CZ	5.5	23.00	5.50	34.00
DA	13.00	14.50	6.50	34.00
DB	12.75	8.50	12.75	34.00
DC	SEE SHEET 3			
DE	6.00	34.00	6.00	46.00
DF	9.12	7.80	9.12	26.04
DG	3.50	43.00	3.50	50.00
DH	6.50	8.00	6.50	21.00
DJ	5.80	17.75	5.80	29.31
DK	5.40	9.00	2.90	17.30
DL	9.00	8.50	6.00	23.50
DM	7.40	23.70	3.30	34.40
DN	7.40	12.10	3.30	22.80
DP	8.00	16.80	5.40	30.20
DR	6.40	15.00	6.40	27.80
DS	7.00	29.00	7.00	43.00
DT	9.80	27.40	9.80	47.00
DU	9.50	36.50	9.50	55.50
DV	9.30	6.30	5.80	22.00
DW	5.30	40.40	3.30	49.00

mat'l. code		surface ISO 1302		tolerance ISO 406 ISO 1101		projection		product family	
ltr		ecn no		dr		date		title	
BT		F08-0236		LMU		09.11.13		HEADER STR,DR	
BU		F10-0221		LMU		10.08.30		DOUBLE BODY	
BV		F10-0259		LMU		10.12.19		scale	
BW		F11-0045		LMU		11.04.04		dr COMPAGNON J 94.05.05	
								engr JMC 95.08.28	
BR		F06-0196		LMU		06.06.20		chr	
BS		F07-0180		LMU		07.04.24		appd JMC 95.08.28	
sheet index		revision sheet						FCJ	
								dwg no 76745 sheet 2 of - size A3	
								type CUSTOMER Drawing	

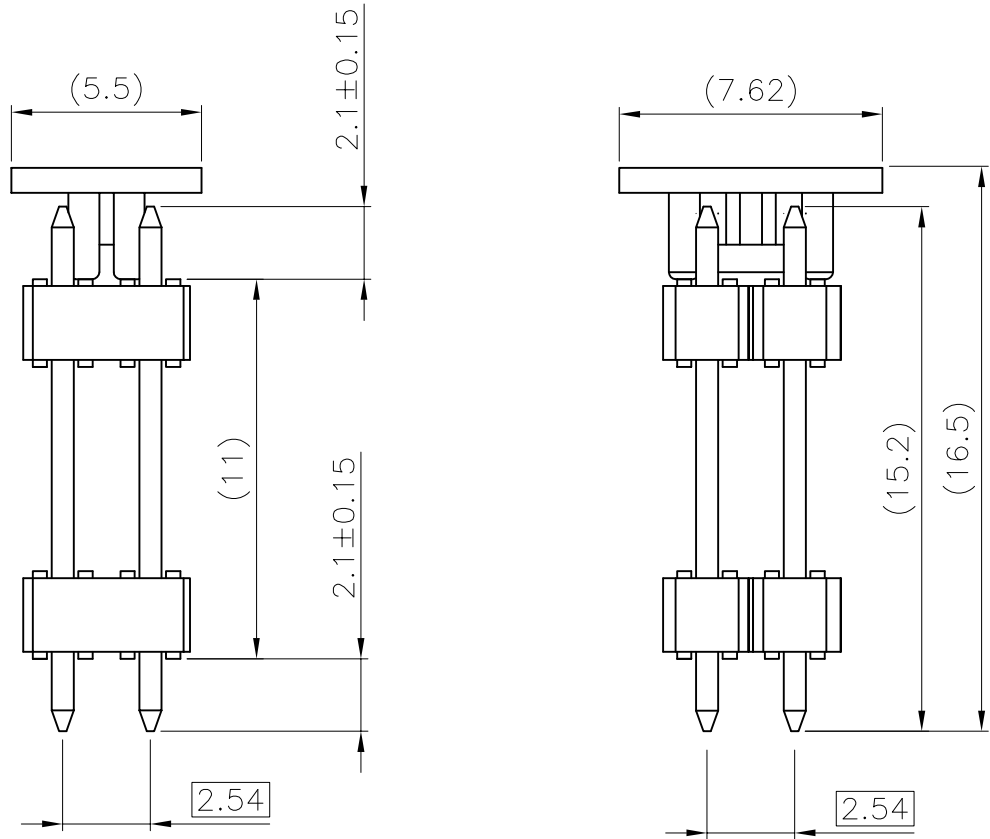
SPECIFIC PRODUCT NUMBER

76745-3DCA04LF

- RoHs COMPLIANT
- TOTAL NB OF POS
- PACKAGING TYPE, SEE NOTE 1
- PIN STYLE
- PLATING  
3 = 2µm MATTE TIN  
OVER 1.27µm Ni MIN

NOTES :

1. PACKAGING : A = TAPE & REEL PACKAGING WITH PICK UP CAP INSTALLED SEE TA 840
2. PRODUCT COMPATIBLE WITH REFLOW PROCESS. 255°C PEAK TEMPERATURE 10-40 SECONDES IN A CONVECTION, INFRA-RED OR VAPOR PHASE



FCIconnect.com

Copyright FCI

mat'l. code		surface		tolerance		projection		product family	
		ISO 1302		ISO 406 ISO 1101				BSTIK	
ltr	ecn no	dr	date	tolerances unless otherwise specified		mm		title	
A	F06-110	LMU	06.01.26	angles	linear			HEADER STR,DR	
B	F06-0196	LMU	06.06.20					DOUBLE BODY	
C	F07-0266	J.CO	07.10.15			scale		sheet 3 of - size	
				dr	L.MULIN	06.01.31		dwg no	
				eng	COMPAGNON	06.01.31		76745	
				chr				A3	
				appd	JMC	06.01.31		type CUSTOMER Drawing	
sheet index	revision sheet								