

PLEASE CHECK WWW.MOLEX.COM FOR LATEST PART INFORMATION

Part Number: **76560-3108**
Status: **Active**
Overview: Impact™ Backplane Connectors and Cable Assemblies
Description: Impact™ 100 Ohm 6 Pair RAM Right Angle Header, 1.90 by 1.35mm Pitch, Left Guided, Open Endwall, 10 Columns, 180 Circuits, Pin Length 5.50mm, Plated Through Hole Dimension 0.39mm, Lead-Free

Documents:

[3D Model](#)
[Drawing \(PDF\)](#)
[Product Specification PS-76060-999 \(PDF\)](#)
[Application Specification AS-76060-990 \(PDF\)](#)
[RoHS Certificate of Compliance \(PDF\)](#)

General

Product Family	Backplane Connectors
Series	<u>76560</u>
Application	Coplanar
Application Tooling Documents	TM-622018799
Component Type	PCB Header
Overview	<u>Impact™ Backplane Connectors and Cable Assemblies</u>
Product Name	Impact™
Style	N/A
UPC	884982480674

Physical

Circuits (Loaded)	180
Circuits (maximum)	180
Color - Resin	Black
Durability (mating cycles max)	200
First Mate / Last Break	No
Guide to Mating Part	No
Keying to Mating Part	Yes
Material - Metal	High Performance Alloy (HPA)
Material - Plating Mating	Gold
Material - Plating Termination	Tin
Material - Resin	High Temperature Thermoplastic
Number of Columns	10
Number of Pairs	6
Number of Rows	18
Orientation	Right Angle
PC Tail Length	1.20mm
PCB Locator	No
PCB Retention	Yes
PCB Thickness - Recommended	1.00mm
Packaging Type	Tray
Pitch - Mating Interface	1.90mm
Pitch - Termination Interface	1.90mm
Plating min - Mating	0.762µm
Stackable	Yes
Temperature Range - Operating	-55°C to +85°C
Termination Interface: Style	Through Hole - Compliant Pin

Electrical

Current - Maximum per Contact	0.75A
Data Rate	25.0 Gbps
Impedance	100#
Shield Type	N/A

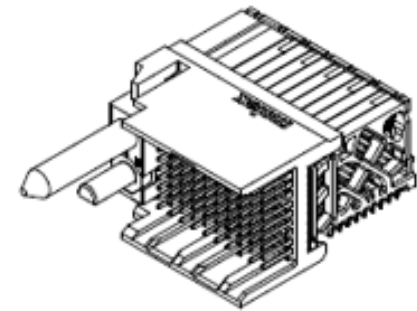


image - Reference only

Series

EU RoHS

**ELV and RoHS
Compliant**
**REACH SVHC
Not Reviewed**
**Low-Halogen Status
Not Reviewed**

China RoHS



Need more information on product environmental compliance?

Email productcompliance@molex.com
For a multiple part number RoHS Certificate of Compliance, [click here](#)

Please visit the [Contact Us](#) section for any non-product compliance questions.

Search Parts in this Series

76560Series

Mates With

76150 Impact™ 100 Ohm Daughtercard

Application Tooling | FAQ

Tooling specifications and manuals are found by selecting the products below. Crimp Height Specifications are then contained in the Application Tooling Specification document.

Global

Description	Product #
Daughter Card	<u>0622018661</u>
Signal Module	
Assembly Press-In	
Tool for 6-Pair by 10-Column Assemblies	

Shielded
Voltage - Maximum

No
30V AC (RMS)/DC

Material Info

Reference - Drawing Numbers

Application Specification
Product Specification
Sales Drawing
Symbol/Footprint Data

AS-76060-990
PS-76060-999
SD-76560-002
SYM-76560-3108

This document was generated on 07/03/2013

PLEASE CHECK WWW.MOLEX.COM FOR LATEST PART INFORMATION