

PLEASE CHECK WWW.MOLEX.COM FOR LATEST PART INFORMATION

Part Number: [76551-1001](#)
Status: **Active**
Overview: [Impact™ Backplane Connectors and Cable Assemblies](#)
Description: [Impact™ DC Standalone Reverse Gender Guide Module](#)

Documents:

[3D Model](#) [RoHS Certificate of Compliance \(PDF\)](#)
[Drawing \(PDF\)](#)

General

Product Family	Backplane Connectors
Series	76551
Application	Backplane, Midplane
Application Tooling Documents	TM-622018799
Component Type	Guide
Overview	Impact™ Backplane Connectors and Cable Assemblies
Product Name	Impact™
Style	N/A
UPC	883906883393

Physical

Circuits (Loaded)	0
Circuits (maximum)	0
Durability (mating cycles max)	Contact Molex
Guide to Mating Part	Yes
Keying to Mating Part	None
Material - Metal	Steel - Zinc Plated
Net Weight	3.649/g
Number of Columns	N/A
Number of Pairs	N/A
Number of Rows	0
Orientation	Right Angle
PC Tail Length	N/A
PCB Locator	No
PCB Retention	Yes
PCB Thickness - Recommended	1.00mm
Packaging Type	Tray
Pitch - Mating Interface	N/A
Temperature Range - Operating	N/A

Electrical

Current - Maximum per Contact	N/A
Data Rate	N/A
Voltage - Maximum	N/A

Material Info

Reference - Drawing Numbers

Sales Drawing	SD-76551-001
---------------	--------------

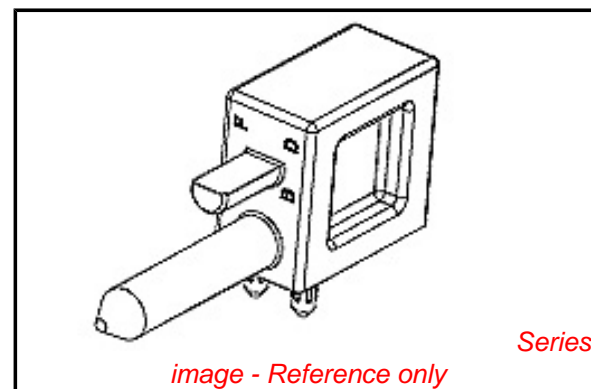


image - Reference only

EU RoHS

**ELV and RoHS
Compliant**

REACH SVHC

Not Reviewed

Low-Halogen Status

Not Reviewed

China RoHS



**Need more information on product
environmental compliance?**

Email productcompliance@molex.com
 For a multiple part number RoHS Certificate of
 Compliance, [click here](#)

Please visit the [Contact Us](#) section for any
 non-product compliance questions.

Search Parts in this Series

[76551Series](#)

Use With

[76552](#)