

**PLEASE CHECK WWW.MOLEX.COM FOR LATEST PART INFORMATION**

**Part Number:** [76450-1107](#)  
**Status:** **Active**  
**Overview:** Impact™ Backplane Connectors and Cable Assemblies  
**Description:** Impact™ 100 Ohm 2 Pair Right Angle Male Header, 1.90 by 1.35mm Pitch, Unguided, Open Endwall, 10 Columns, 60 Circuits, Pin Length 4.90mm, Plated Through Hole Dimension 0.39mm, Lead-Free

**Documents:**

[3D Model](#)  
[Drawing \(PDF\)](#)  
[Product Specification PS-76060-999 \(PDF\)](#)  
[Application Specification AS-76060-990 \(PDF\)](#)  
[RoHS Certificate of Compliance \(PDF\)](#)

**Agency Certification**

UL E29179

**General**

Product Family Backplane Connectors  
 Series [76450](#)  
 Application Coplanar  
 Application Tooling Documents TM-622018799  
 Component Type PCB Header  
 Overview [Impact™ Backplane Connectors and Cable Assemblies](#)  
 Product Name Impact™  
 Style N/A  
 UPC 883906873738

**Physical**

Circuits (Loaded) 60  
 Circuits (maximum) 60  
 Color - Resin Black  
 Durability (mating cycles max) 200  
 First Mate / Last Break No  
 Flammability 94V-0  
 Guide to Mating Part No  
 Keying to Mating Part None  
 Material - Metal High Performance Alloy (HPA)  
 Material - Plating Mating Gold  
 Material - Plating Termination Tin  
 Material - Resin High Temperature Thermoplastic  
 Net Weight 9.580/g  
 Number of Columns 10  
 Number of Pairs 2  
 Number of Rows 6  
 Orientation Right Angle  
 PC Tail Length 1.20mm  
 PCB Locator No  
 PCB Retention None  
 PCB Thickness - Recommended 1.00mm  
 Packaging Type Tray  
 Pitch - Mating Interface 1.90mm  
 Pitch - Termination Interface 1.90mm  
 Plating min - Mating 0.762µm  
 Polarized to PCB No  
 Stackable Yes  
 Temperature Range - Operating -55°C to +85°C  
 Termination Interface: Style Through Hole - Compliant Pin

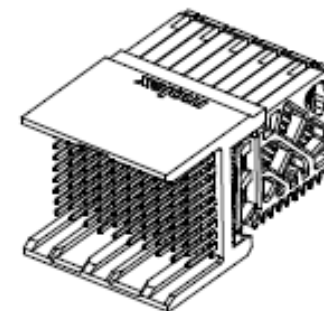


image - Reference only

Series

**EU RoHS**

**ELV and RoHS Compliant**

**REACH SVHC**

Not Reviewed

**Low-Halogen Status**

**Low-Halogen**

**China RoHS**



**Need more information on product environmental compliance?**

Email [productcompliance@molex.com](mailto:productcompliance@molex.com)  
 For a multiple part number RoHS Certificate of Compliance, [click here](#)

Please visit the [Contact Us](#) section for any non-product compliance questions.

**Search Parts in this Series**

[76450Series](#)

**Mates With**

[76460 Impact™ 100 Ohm Daughtercard](#)

**Application Tooling | FAQ**

*Tooling specifications and manuals are found by selecting the products below. Crimp Height Specifications are then contained in the Application Tooling Specification document.*

**Global**

Description	Product #
Press-in-Tool for Daughter Card	<a href="#">0622018778</a>
Signal Module, 2-Pair by 10-Column Assemblies	

**Electrical**

Current - Maximum per Contact	0.75A
Data Rate	25.0 Gbps
Impedance	100#
Shield Type	N/A
Shielded	No
Voltage - Maximum	30V AC (RMS)/DC

**Material Info****Reference - Drawing Numbers**

Application Specification	AS-76060-990
Product Specification	PS-76060-999
Sales Drawing	SD-76450-001
Symbol/Footprint Data	SYM-76450-1107

This document was generated on 05/13/2013

**PLEASE CHECK [WWW.MOLEX.COM](http://WWW.MOLEX.COM) FOR LATEST PART INFORMATION**