

PLEASE CHECK WWW.MOLEX.COM FOR LATEST PART INFORMATION

Part Number: [76165-9305](#)
Status: **Active**
Overview: Impact™ Backplane Connectors and Cable Assemblies
Description: Impact™ 100 Ohm 3 Pair Vertical Backplane Header, 1.90 by 1.35mm Pitch, Right Guide, Left Endwall, 6 Columns, 54 Circuits, Pin Length 5.50mm, Plated Through Hole Dimension 0.46mm, Lead-Free

Documents:

[Drawing \(PDF\)](#) [Application Specification AS-76060-990 \(PDF\)](#)
[Product Specification PS-76060-999 \(PDF\)](#) [RoHS Certificate of Compliance \(PDF\)](#)

Agency Certification

UL E29179

General

Product Family Backplane Connectors
Series [76165](#)
Application Conventional
Component Type PCB Header
Overview [Impact™ Backplane Connectors and Cable Assemblies](#)
Product Name Impact™
Style N/A
UPC 887191093482

Physical

Circuits (Loaded) 54
Circuits (maximum) 54
Color - Resin Black
Durability (mating cycles max) 200
First Mate / Last Break No
Flammability 94V-0
Guide to Mating Part Yes
Keying to Mating Part None
Material - Metal High Performance Alloy (HPA)
Material - Plating Mating Gold
Material - Plating Termination Tin
Material - Resin High Temperature Thermoplastic
Net Weight 4.516/g
Number of Columns 6
Number of Pairs 3
Number of Rows 9
Orientation Vertical
PC Tail Length 1.40mm
PCB Locator No
PCB Retention None
PCB Thickness - Recommended 1.00mm
Packaging Type Tray
Pitch - Mating Interface 1.90mm
Pitch - Termination Interface 1.90mm
Plating min - Mating 0.762µm
Polarized to PCB No
Stackable Yes
Temperature Range - Operating -55°C to +85°C
Termination Interface: Style Through Hole - Compliant Pin

Electrical

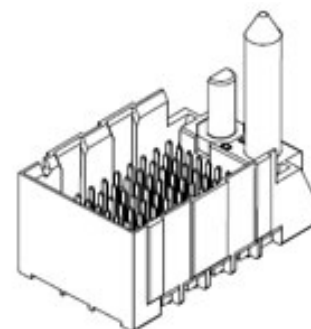


image - Reference only

Series

EU RoHS

ELV and RoHS Compliant

REACH SVHC

Not Reviewed

Low-Halogen Status

Low-Halogen

China RoHS



Need more information on product environmental compliance?

Email productcompliance@molex.com
For a multiple part number RoHS Certificate of Compliance, [click here](#)

Please visit the [Contact Us](#) section for any non-product compliance questions.

Search Parts in this Series

[76165Series](#)

Mates With

[76170 Impact™ 100 Ohm Daughtercard](#)

Application Tooling | FAQ

Tooling specifications and manuals are found by selecting the products below. Crimp Height Specifications are then contained in the Application Tooling Specification document.

Global

Description	Product #
Backplane Insertion Tool for Signal Contact	0621005800
Backplane Header Removal Tool for GbX-U™, I-Trac™, Impact™, or TinMan	0621009610
Backplane Press-In Tool	0622018781

Current - Maximum per Contact	0.75A
Data Rate	25.0 Gbps
Impedance	100#
Shield Type	N/A
Shielded	No
Voltage - Maximum	30V AC (RMS)/DC

Material Info

Reference - Drawing Numbers

Application Specification	AS-76060-990
Product Specification	PS-76060-999
Sales Drawing	SD-76155-003, SD-76165-003
Symbol/Footprint Data	SYM-76165-9305

This document was generated on 07/03/2013

PLEASE CHECK WWW.MOLEX.COM FOR LATEST PART INFORMATION