

**PLEASE CHECK WWW.MOLEX.COM FOR LATEST PART INFORMATION**

**Part Number:** [76165-7308](#)  
**Status:** **Active**  
**Overview:** Impact™ Backplane Connectors and Cable Assemblies  
**Description:** Impact™ 100 Ohm 3 Pair Vertical Backplane Header, 1.90 by 1.35mm Pitch, Left Guide, Right Endwall, 6 Columns, 54 Circuits, Pin Length 5.50mm, Plated Through Hole Dimension 0.39mm, Lead-Free

**Documents:**

[3D Model](#) [Application Specification AS-76060-990 \(PDF\)](#)  
[Drawing \(PDF\)](#) [RoHS Certificate of Compliance \(PDF\)](#)  
[Product Specification PS-76060-999 \(PDF\)](#)

**Agency Certification**

UL E29179

**General**

Product Family Backplane Connectors  
 Series [76165](#)  
 Application Conventional  
 Application Tooling Documents TM-622018799  
 Component Type PCB Header  
 Overview [Impact™ Backplane Connectors and Cable Assemblies](#)  
 Product Name Impact™  
 Style N/A  
 UPC 884982248731

**Physical**

Circuits (Loaded) 54  
 Circuits (maximum) 54  
 Color - Resin Black  
 Durability (mating cycles max) 200  
 First Mate / Last Break No  
 Flammability 94V-0  
 Guide to Mating Part Yes  
 Keying to Mating Part None  
 Material - Metal High Performance Alloy (HPA)  
 Material - Plating Mating Gold  
 Material - Plating Termination Tin  
 Material - Resin High Temperature Thermoplastic  
 Net Weight 4.516/g  
 Number of Columns 6  
 Number of Pairs 3  
 Number of Rows 9  
 Orientation Vertical  
 PC Tail Length 1.40mm  
 PCB Locator No  
 PCB Retention None  
 PCB Thickness - Recommended 1.00mm  
 Packaging Type Tray  
 Pitch - Mating Interface 1.90mm  
 Pitch - Termination Interface 1.90mm  
 Plating min - Mating 0.762µm  
 Polarized to PCB Yes  
 Stackable Yes  
 Temperature Range - Operating -55°C to +85°C  
 Termination Interface: Style Through Hole - Compliant Pin

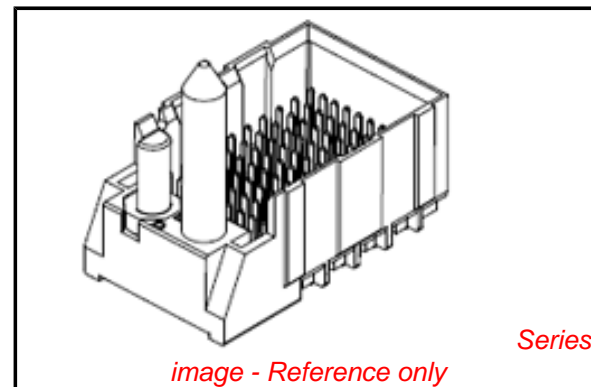


image - Reference only

**EU RoHS**

**ELV and RoHS Compliant**

**REACH SVHC**

Not Reviewed

**Low-Halogen Status**

**Low-Halogen**

**China RoHS**



**Need more information on product environmental compliance?**

Email [productcompliance@molex.com](mailto:productcompliance@molex.com)  
 For a multiple part number RoHS Certificate of Compliance, [click here](#)

Please visit the [Contact Us](#) section for any non-product compliance questions.

**Search Parts in this Series**

[76165Series](#)

**Mates With**

[76170 Impact™ 100 Ohm Daughtercard](#)

**Application Tooling | FAQ**

*Tooling specifications and manuals are found by selecting the products below. Crimp Height Specifications are then contained in the Application Tooling Specification document.*

**Global**

Description	Product #
Backplane Header	<a href="#">0621009610</a>
Removal Tool for GbX-U™, I-Trac™, Impact™, or TinMan	
Backplane Press-In Tool	<a href="#">0622018781</a>
Backplane Insertion Tool for Signal Contact	<a href="#">0621005800</a>

**Electrical**

Current - Maximum per Contact	0.75A
Data Rate	25.0 Gbps
Impedance	100#
Shield Type	N/A
Shielded	No
Voltage - Maximum	30V AC (RMS)/DC

**Material Info****Reference - Drawing Numbers**

Application Specification	AS-76060-990
Product Specification	PS-76060-999
Sales Drawing	SD-76165-002
Symbol/Footprint Data	SYM-76165-7308

This document was generated on 05/13/2013

**PLEASE CHECK [WWW.MOLEX.COM](http://WWW.MOLEX.COM) FOR LATEST PART INFORMATION**