

**PLEASE CHECK WWW.MOLEX.COM FOR LATEST PART INFORMATION**

**Part Number:** [76165-1308](#)  
**Status:** **Active**  
**Overview:** Impact™ Backplane Connectors and Cable Assemblies  
**Description:** Impact™ 100 Ohm 3 Pair Vertical Backplane Header, 1.90 by 1.35mm Pitch, Unguided, Open Endwall, 6 Columns, 54 Circuits, Pin Length 5.50mm, Plated Through Hole Dimension 0.39mm, Lead-Free

**Documents:**

[3D Model](#) [Application Specification AS-76060-990 \(PDF\)](#)  
[Drawing \(PDF\)](#) [RoHS Certificate of Compliance \(PDF\)](#)  
[Product Specification PS-76060-999 \(PDF\)](#)

**Agency Certification**

UL E29179

**General**

Product Family Backplane Connectors  
 Series [76165](#)  
 Application Conventional, Mezzanine  
 Application Tooling Documents TM-622018799  
 Component Type PCB Header  
 Overview [Impact™ Backplane Connectors and Cable Assemblies](#)  
 Product Name Impact™  
 Style N/A  
 UPC 884982746282

**Physical**

Circuits (Loaded) 54  
 Circuits (maximum) 54  
 Color - Resin Black  
 Durability (mating cycles max) 200  
 First Mate / Last Break No  
 Flammability 94V-0  
 Guide to Mating Part No  
 Keying to Mating Part None  
 Material - Metal High Performance Alloy (HPA)  
 Material - Plating Mating Gold  
 Material - Plating Termination Tin  
 Material - Resin High Temperature Thermoplastic  
 Net Weight 1.339/g  
 Number of Columns 6  
 Number of Pairs 3  
 Number of Rows 9  
 Orientation Vertical  
 PC Tail Length 1.40mm  
 PCB Locator No  
 PCB Retention None  
 PCB Thickness - Recommended 1.00mm  
 Packaging Type Tray  
 Pitch - Mating Interface 1.90mm  
 Pitch - Termination Interface 1.90mm  
 Plating min - Mating 0.762µm  
 Polarized to PCB No  
 Stackable Yes  
 Temperature Range - Operating -55°C to +85°C  
 Termination Interface: Style Through Hole - Compliant Pin

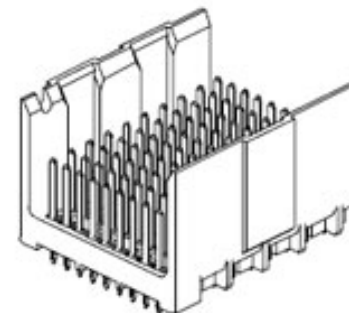


image - Reference only

Series

**EU RoHS**

**ELV and RoHS Compliant**

**REACH SVHC**

Not Reviewed

**Low-Halogen Status**

**Low-Halogen**

**China RoHS**



**Need more information on product environmental compliance?**

Email [productcompliance@molex.com](mailto:productcompliance@molex.com)  
 For a multiple part number RoHS Certificate of Compliance, [click here](#)

Please visit the [Contact Us](#) section for any non-product compliance questions.

**Search Parts in this Series**

[76165Series](#)

**Mates With**

[76170 Impact™ 100 Ohm Daughtercard](#)

**Use With**

[75234 Backplane Free Standing Guide Pin](#)

**Application Tooling | FAQ**

*Tooling specifications and manuals are found by selecting the products below. Crimp Height Specifications are then contained in the Application Tooling Specification document.*

**Global**

| Description   | Product #                  |
|---|----------------------------|
| Backplane Insertion Tool for Signal Contact                           | <a href="#">0621005800</a> |
| Backplane Header Removal Tool for GbX-U™, I-Trac™, Impact™, or TinMan | <a href="#">0621009610</a> |

## Electrical

|                               |                 |
|-------------------------------|-----------------|
| Current - Maximum per Contact | 0.75A           |
| Data Rate                     | 25.0 Gbps       |
| Impedance                     | 100#            |
| Shield Type                   | N/A             |
| Shielded                      | No              |
| Voltage - Maximum             | 30V AC (RMS)/DC |

## Material Info

### Reference - Drawing Numbers

|                           |                |
|---------------------------|----------------|
| Application Specification | AS-76060-990   |
| Product Specification     | PS-76060-999   |
| Sales Drawing             | SD-76165-001   |
| Symbol/Footprint Data     | SYM-76165-1308 |

This document was generated on 07/03/2013

**PLEASE CHECK [WWW.MOLEX.COM](http://WWW.MOLEX.COM) FOR LATEST PART INFORMATION**