

PLEASE CHECK WWW.MOLEX.COM FOR LATEST PART INFORMATION

Part Number: [76153-1002](#)
Status: **Active**
Overview: [Impact™ Backplane Connectors and Cable Assemblies](#)
Description: 11.00mm Stand Alone, Pirate Cannon Wide Guide Module, Zinc Die Cast, with ESD Clips

Documents:

[3D Model](#) [RoHS Certificate of Compliance \(PDF\)](#)
[Drawing \(PDF\)](#)

General

Product Family	Backplane Connectors
Series	76153
Application	Daughtercard
Application Tooling Documents	TM-622018799
Comments	For additional Impact™ product information and design assistance, please email impact@molex.com
Component Type	Guide
Overview	Impact™ Backplane Connectors and Cable Assemblies
Product Name	GbX®, GbX I-Trac™, HDM®, Impact™, VHDM®, VHDM-HSD™, Z-PACK TinMan
Style	N/A
UPC	883906386009

Physical

Circuits (Loaded)	0
Circuits (maximum)	0
Durability (mating cycles max)	200
First Mate / Last Break	Yes
Guide to Mating Part	Yes
Keying to Mating Part	None
Material - Metal	Zinc Alloy
Material - Plating Mating	Gold
Net Weight	10.995/g
Number of Columns	N/A
Number of Pairs	N/A
Number of Rows	0
Orientation	Right Angle
PC Tail Length	N/A
PCB Locator	Yes
PCB Retention	Yes
PCB Thickness - Recommended	1.00mm
Packaging Type	Bag
Pitch - Mating Interface	N/A
Pitch - Termination Interface	N/A
Polarized to PCB	Yes
Stackable	No
Surface Mount Compatible (SMC)	No
Temperature Range - Operating	N/A

Electrical

Current - Maximum per Contact	N/A
Data Rate	N/A
Shielded	No
Voltage - Maximum	N/A

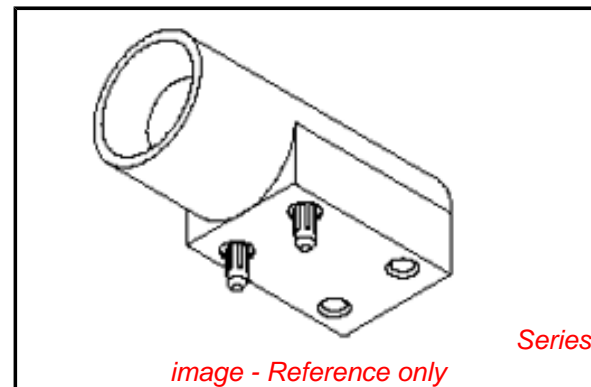


image - Reference only

EU RoHS

ELV and RoHS Compliant

REACH SVHC

Not Reviewed

Low-Halogen Status

Low-Halogen

China RoHS



Need more information on product environmental compliance?

Email productcompliance@molex.com
 For a multiple part number RoHS Certificate of Compliance, [click here](#)

Please visit the [Contact Us](#) section for any non-product compliance questions.

Search Parts in this Series

[76153Series](#)

Mates With

[752341478 Standalone Wide Guide Pin](#)

Solder Process Data

Duration at Max. Process Temperature (seconds)	40
Lead-free Process Capability	SMC & Wave Capable (TH only)
Max. Cycles at Max. Process Temperature	3
Process Temperature max. C	260

Material Info**Reference - Drawing Numbers**

Sales Drawing	SD-76153-001
---------------	--------------

This document was generated on 04/25/2013

PLEASE CHECK WWW.MOLEX.COM FOR LATEST PART INFORMATION