

**PLEASE CHECK WWW.MOLEX.COM FOR LATEST PART INFORMATION**

**Part Number:** [76153-1001](#)  
**Status:** **Active**  
**Overview:** Impact™ Backplane Connectors and Cable Assemblies  
**Description:** 11.00mm Stand Alone, Pirate Cannon Wide Guide Module, Zinc Die Cast

**Documents:**

[3D Model](#) [RoHS Certificate of Compliance \(PDF\)](#)  
[Drawing \(PDF\)](#)

**General**

Product Family	Backplane Connectors
Series	76153
Application	Daughtercard
Application Tooling Documents	TM-622018799
Comments	For additional Impact™ product information and design assistance, please email <a href="mailto:impact@molex.com">impact@molex.com</a>
Component Type	Guide
Overview	<a href="#">Impact™ Backplane Connectors and Cable Assemblies</a>
Product Name	GbX®, GbX I-Trac™, HDM®, Impact™, VHDM®, VHDM-HSD™, Z-PACK TinMan
Style	N/A
UPC	883906031695

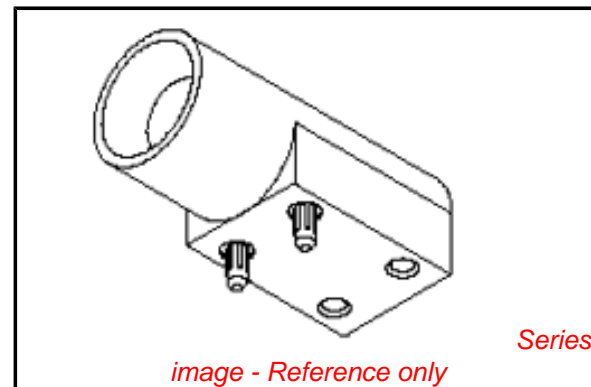
**Physical**

Circuits (Loaded)	0
Circuits (maximum)	0
Durability (mating cycles max)	200
First Mate / Last Break	No
Guide to Mating Part	Yes
Keying to Mating Part	None
Material - Metal	Zinc Alloy
Material - Plating Mating	Gold
Net Weight	10.711/g
Number of Columns	N/A
Number of Pairs	N/A
Number of Rows	0
Orientation	Right Angle
PC Tail Length	N/A
PCB Locator	Yes
PCB Retention	Yes
PCB Thickness - Recommended	1.00mm
Packaging Type	Bag
Pitch - Mating Interface	N/A
Pitch - Termination Interface	N/A
Polarized to PCB	Yes
Stackable	No
Surface Mount Compatible (SMC)	No
Temperature Range - Operating	N/A

**Electrical**

Current - Maximum per Contact	N/A
Data Rate	N/A
Shielded	No
Voltage - Maximum	N/A

**Solder Process Data**



*image - Reference only*

**EU RoHS**

**ELV and RoHS Compliant**

**REACH SVHC**

Not Reviewed

**Low-Halogen Status**

**Low-Halogen**

**China RoHS**



**Need more information on product environmental compliance?**

Email [productcompliance@molex.com](mailto:productcompliance@molex.com)  
 For a multiple part number RoHS Certificate of Compliance, [click here](#)

Please visit the [Contact Us](#) section for any non-product compliance questions.

**Search Parts in this Series**

76153Series

**Mates With**

752341478 Standalone Wide Guide Pin

Duration at Max. Process Temperature (seconds)	40
Lead-free Process Capability	SMC & Wave Capable (TH only)
Max. Cycles at Max. Process Temperature	3
Process Temperature max. C	260

**Material Info**

**Reference - Drawing Numbers**

Sales Drawing	SD-76153-001
---------------	--------------

This document was generated on 02/20/2013

**PLEASE CHECK [WWW.MOLEX.COM](http://WWW.MOLEX.COM) FOR LATEST PART INFORMATION**