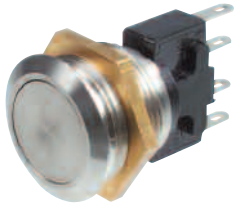


SERIES 76-95:



ACTUAL SIZE



10 AMP VANDAL RESISTANT PUSHBUTTON SWITCHES

This rugged panel sealed switch is designed to withstand impacts of significant force. Using Series 16 and 26 Butterfly® snap action switches loads of up to 10.1 amps can be switched. The low profile makes it difficult to pry the switch from its mounting.

KEY FEATURES:

- Panel sealed to IP67
- Form Z switch contacts
- Wide temperature range: -30°C to +105°C (-22°F to +221°F)
- UL recognized (16-530004 & 26-810 only) and CSA certified
- Solder Terminals
- Life: 50,000 cycles at full load

APPLICATIONS

- Military/Aerospace
- Industrial: welding, motors, pumps, controls, valves
- Transportation: mass transit, marine, lift trucks, personal and recreational vehicles, rail
- Security access controls
- Elevators

ORDERING INFORMATION:

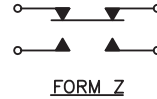
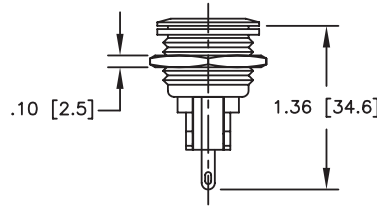
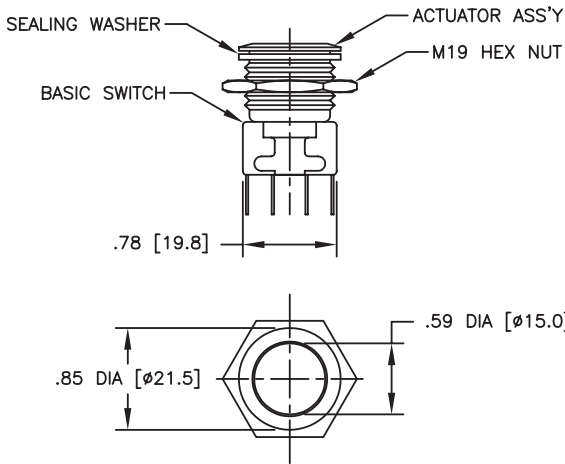
Part Number*	Contacts	Circuit
76-9510/530004	Silver	SPDT-DB
76-9510/810	Enhanced Gold	DPDT-DB

* Switches are individually packaged with one each: actuator assembly, basic switch, sealing washer, and hex nut per bag.

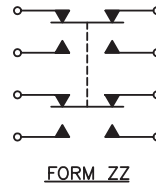
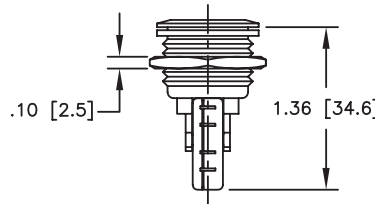
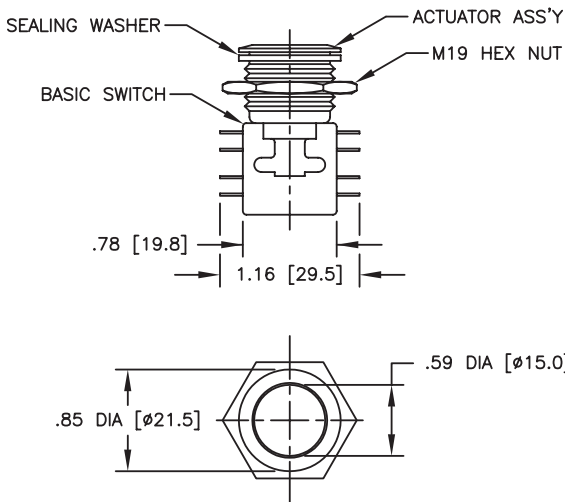
STANDARDS / AGENCY / RATINGS:



76-9510/530004



76-9510/810



Current rating, 26-810:

Load	Sea Level				70,000 Ft.	
	28 VDC DPDT	28 VDC 4 CKT	115 VAC 60 HZ DPDT	115 VAC 60 HZ 4 CKT	28 VDC DPDT	28 VDC 4 CKT
Resistive	8 amp	8 amp	6 amp	4 amp	8 amp	8 amp
Inductive	6 amp	4 amp	4 amp	4 amp	2 amp	1 amp
Lamp	0.5 amp	0.5 amp	2 amp	1 amp	—	—

MECHANICAL / ELECTRICAL CHARACTERISTICS:

Mechanical Life:

1,000,000 cycles

Operating force:

2.6N / 265 grams

Panel thickness:

0.06 – 0.31 inches / 1.5 – 8mm

Panel cut out:

0.758 inch Diameter /
19.25mm

Dielectric strength:

1,000 VAC for 1 minute

Insulation resistance:

1 GΩ @ 500VDC

Contact resistance initial:

25 mΩ max

Current rating, 16-530004:

Form X or Y: 10 amps 125 VAC;

10 amps 28 VDC Ind.

Form Z: 5 amps 125/250 VAC;

3 amps 28 VDC Ind.

Current rating, 26-810:

see chart on left

Electrical:

Life: 50,000 cycles (max load)
@ 158°F (70°C)

Button and bezel material:

stainless steel

Contact material:

16-530004: silver

Contact material:

26-810: enhanced gold