

Product description	M8 female panel mount connector, Contacts: 3, unshielded, single wires, IP67, M10x0.75
Area	M8 series 718
Order number	76 6218 1111 00003-0200

Illustration	Scale drawing	Contact arrangement (Plug-in side)
		<p>1 brown 3 blue 4 black</p>

You can find the assembly instructions on the next page.

Technical data

General values

Notice	Please note that, due to the change from the old to the new order number, there may be deviations in the technical specifications. For questions about product details, please use the 'Contact Customer Service' form on the right.
Connector design	female panel mount connector
Connector locking system	snap, screw
Termination	single wires
Wire gauge (mm)	0.25 mm ²
Wire gauge (AWG)	AWG 24
Upper limit temperature	85 °C
Lower limit temperature	-40 °C
Customs tariff number	85369010

Electrical values

Rated current (40 °C)	4 A
Rated voltage	60 V
Rated impulse voltage	1500 V
Pollution degree	3
Overvoltage category	II
Insulating material group	II
EMC compliance	unshielded
Degree of protection	IP67
Mechanical operation	> 100 Mating cycles

Material

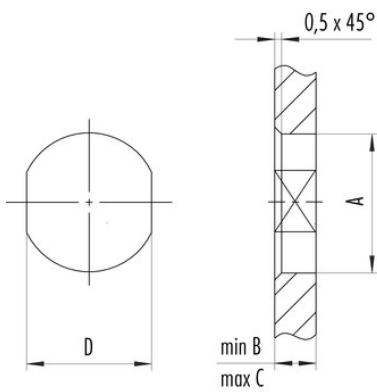
Contact material	CuSn (bronze)
Contact plating	Au (gold)
Contact body material	PA
Housing material	Zinc die-cast nickel-plated
REACH SVHC	CAS 7439-92-1 (Lead)

Product description **M8 female panel mount connector, Contacts: 3, unshielded, single wires, IP67, M10x0.75**
 Area **M8 series 718**
 Order number **76 6218 1111 00003-0200**

Assembly instructions / Panel cut-out

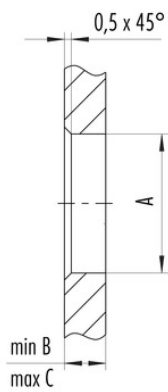
1st Installation proposal

With flats as anti-rotation device



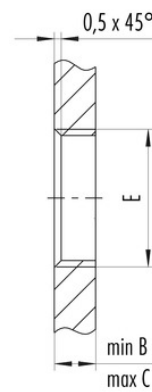
2nd Installation proposal

With bore hole



3rd Installation proposal

With thread to screw in



thread E	A	B	C	D
M8 x 0,5	8,1	2,5	3,5	7,1
M8 x 1	8,1	2,5	3,5	7,1
M10 x 0,75	10,1	2,5	5,0	9,1

Tightening torque 1 Nm

Product description	M8 female panel mount connector, Contacts: 3, unshielded, single wires, IP67, M10x0.75
Area	M8 series 718
Order number	76 6218 1111 00003-0200

Security notices

The connectors have been developed for applications in plant engineering, control and electrical equipment construction. The user is responsible for checking whether the connectors can also be used in other areas of application.

Plug connectors with enclosure protection IP 67 and IP 68 are not suitable for use under water. When used outdoors, the plug connectors must be protected separately against corrosion. For further information on the IP protection classes, please refer to the "Technical Information" download centre.