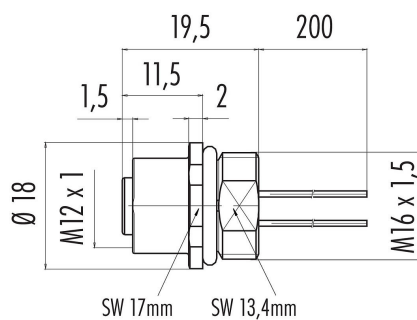


| | |
|---------------------|---|
| Product description | M12-A female panel mount connector, Contacts: 12, unshielded, single wires, IP67, UL, M16x1.5 plastic |
| Area | M12-A series 763 |
| Order number | 76 4332 0111 00012-0200 |

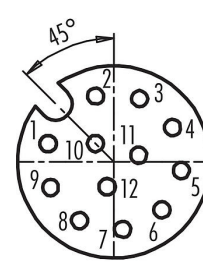
Illustration



Scale drawing



Contact arrangement (Plug-in side)



- 1 brown
- 2 blue
- 3 white
- 4 green
- 5 pink
- 6 yellow
- 7 black
- 8 grey
- 9 red
- 10 purple
- 11 grey/pink
- 12 red/blue

You can find the assembly instructions on the next page.

Technical data

General features

| | |
|---------------------------|-------------------------------|
| Order number | 76 4332 0111 00012-0200 |
| Connector design | female panel mount connector |
| Wire length | 0,2 m |
| Version | connector female straight |
| Connector locking system | screw |
| Termination | single wires |
| Degree of protection | IP67 |
| Cross-sectional area | 0.14 mm ² / AWG 26 |
| Temperature range from/to | -40 °C / 85 °C |
| Mechanical operation | > 100 Mating cycles |
| Weight (g) | 11.803 |
| Customs tariff number | 85369010 |

Electrical parameters

| | |
|-----------------------|---------------------|
| Rated voltage | 30 V |
| Rated impulse voltage | 800 V |
| Rated current (40 °C) | 2 A (UL 1.5 A) |
| Insulation resistance | > 10 ⁸ Ω |
| Pollution degree | 3 |

Product data sheet

Automation technology - sensors and actuators



| | |
|---------------------|---|
| Product description | M12-A female panel mount connector, Contacts: 12, unshielded, single wires, IP67, UL, M16x1.5 plastic |
| Area | M12-A series 763 |
| Order number | 76 4332 0111 00012-0200 |

| | |
|---------------------------|------------|
| Overvoltage category | II |
| Insulating material group | III |
| EMC compliance | unshielded |

Material

| | |
|-----------------------|--------------------------------------|
| Housing material | PA |
| Contact body material | PA black |
| Contact material | CuSn (bronze) |
| Contact plating | Au (gold) |
| REACH SVHC | CAS 7439-92-1 (Lead) |
| SCIP number | 3ed163d6-fb9e-46cc-8a19-d4d970a11a4a |

Authorization/approvals

| | |
|-----------|----|
| Approvals | UL |
|-----------|----|

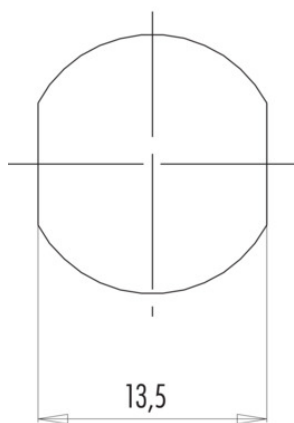
Classifications

| | |
|-------------|-------------|
| eCl@ss 11.1 | 27-44-01-03 |
| ETIM 7.0 | EC003570 |

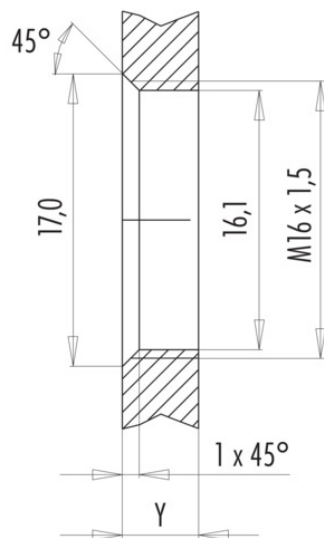
Product description M12-A female panel mount connector, Contacts: 12, unshielded, single wires, IP67, UL, M16x1.5 plastic
Area M12-A series 763
Order number 76 4332 0111 00012-0200

Assembly instructions / Panel cut-out

With flats as anti-rotation device



With bore hole



Installation direction: o-ring sits on chamfer.

Tightening moment

Metall housing/Plastic housing 1,25 Nm

| Thickness of wall Y (mm) | | |
|------------------------------------|------------------------------------|----------|
| Version | min (mm) | max (mm) |
| Fastened from rear | 2 | 3,5 |
| Front fastened | 2 | 4,5 |
| positioning possible ¹⁾ | 2 | 3,5 |
| Screw clamp | 2 | 3,5 |
| Thread M12 x 1 | 2 | 3,0 |
| Thread M14 x 1 ²⁾ | ³⁾ 1,5/ ⁴⁾ 2 | 6,5 |

Notes

- ¹⁾ Do not attach a chamfer
- ²⁾ Wall thickness:
use locknut 01-5385 up to 1,5 mm,
>1,5 mm cut thread
- ³⁾ Nut
- ⁴⁾ Thread in wall of housing

| | |
|---------------------|---|
| Product description | M12-A female panel mount connector, Contacts: 12, unshielded, single wires, IP67, UL, M16x1.5 plastic |
| Area | M12-A series 763 |
| Order number | 76 4332 0111 00012-0200 |

Security notices

The connectors have been developed for applications in plant engineering, control and electrical equipment construction. The user is responsible for checking whether the connectors can also be used in other areas of application.

Plug connectors with enclosure protection IP 67 and IP 68 are not suitable for use under water. When used outdoors, the plug connectors must be protected separately against corrosion. For further information on the IP protection classes, please refer to the "Technical Information" download centre.