

Product data sheet

Automation technology - sensors and actuators

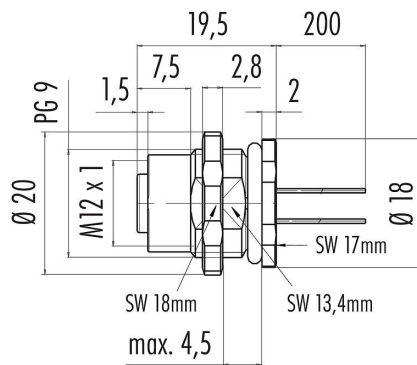


Product description	M12-A female panel mount connector, Contacts: 8, unshielded, single wires, IP68/IP69K, UL, PG9 front mounting VA, front mounting
Area	M12-A series 763
Order number	76 2532 1111 00008-0200

Illustration

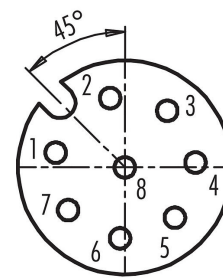


Scale drawing



Stainless steel version

Contact arrangement (Plug-in side)



- 1 white
- 2 brown
- 3 green
- 4 yellow
- 5 grey
- 6 pink
- 7 blue
- 8 red

You can find the assembly instructions on the next page.

Technical data

General features

Order number	76 2532 1111 00008-0200 Alternative order number: 09 3482 679 08
Notice	Please note that, due to the change from the old to the new order number, there may be deviations in the technical specifications. For questions about product details, please use the 'Contact Customer Service' form on the right.
Connector design	female panel mount connector
Wire length	0,2 m
Version	connector female straight
Connector locking system	screw
Termination	single wires
Degree of protection	IP68/IP69K
Cross-sectional area	0.25 mm ² / AWG 24
Temperature range from/to	-40 °C / 85 °C
Mechanical operation	> 100 Mating cycles
Weight (g)	20.74
Customs tariff number	85369010

Electrical parameters

Rated voltage	30 V
Rated impulse voltage	800 V



Product data sheet

Automation technology - sensors and actuators



Product description	M12-A female panel mount connector, Contacts: 8, unshielded, single wires, IP68/IP69K, UL, PG9 front mounting VA, front mounting
Area	M12-A series 763
Order number	76 2532 1111 00008-0200

Rated current (40 °C)	2 A (UL 1.5 A)
Insulation resistance	> 10 ⁸ Ω
Pollution degree	3
Overvoltage category	II
Insulating material group	III
EMC compliance	unshielded

Material

Housing material	stainless steel
Contact body material	PA black
Contact material	CuSn (bronze)
Contact plating	Au (gold)
Locking material	stainless steel
REACH SVHC	CAS 7439-92-1 (Lead)
SCIP number	290289af-2b93-4480-90fb-664a86f13fea

Authorization/approvals

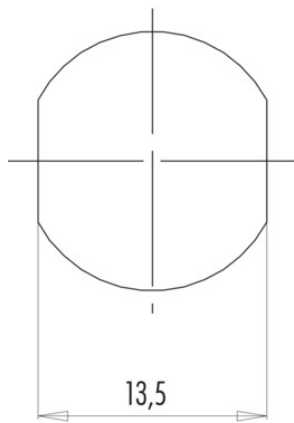
Approvals	UL
-----------	----

Product description M12-A female panel mount connector, Contacts: 8, unshielded, single wires, IP68/IP69K, UL, PG9 front mounting VA, front mounting

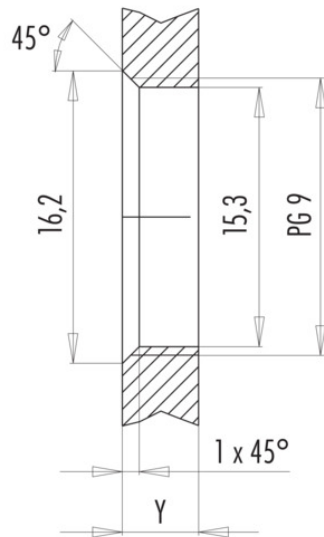
Area M12-A series 763
Order number 76 2532 1111 00008-0200

Assembly instructions / Panel cut-out

With flats as anti-rotation device



With bore hole



Installation direction: o-ring sits on chamfer.

Tightening moment

Metall housing/Plastic housing 1,25 Nm

Thickness of wall Y (mm)		
Version	min (mm)	max (mm)
Fastened from rear	2	3,5
Front fastened	2	4,5
positioning possible ¹⁾	2	3,5
Screw clamp	2	3,5
Thread M12 x 1	2	3,0
Thread M14 x 1 ²⁾	³⁾ 1,5/ ⁴⁾ 2	6,5

Notes

- ¹⁾ Do not attach a chamfer
- ²⁾ Wall thickness:
use locknut 01-5385 up to 1,5 mm,
>1,5 mm cut thread
- ³⁾ Nut
- ⁴⁾ Thread in wall of housing

Product description	M12-A female panel mount connector, Contacts: 8, unshielded, single wires, IP68/IP69K, UL, PG9 front mounting VA, front mounting
Area	M12-A series 763
Order number	76 2532 1111 00008-0200

Security notices

The connectors have been developed for applications in plant engineering, control and electrical equipment construction. The user is responsible for checking whether the connectors can also be used in other areas of application.

Plug connectors with enclosure protection IP 67 and IP 68 are not suitable for use under water. When used outdoors, the plug connectors must be protected separately against corrosion. For further information on the IP protection classes, please refer to the "Technical Information" download centre.